

nivtec

ingeniously simple!

set up schemes

stairway $\overbrace{\text{X0701.062}}^{\text{depth width height tier height}} \begin{matrix} 20 \text{ cm} \\ 1 \\ 16,66 \text{ cm} \end{matrix}$

show stairway $\overbrace{\text{X0704.062}}^{\text{depth width height tier height}} \begin{matrix} 20 \text{ cm} \\ 1 \\ 16,66 \text{ cm} \end{matrix}$

gallery $\overbrace{\text{T0703.062}}^{\text{width depth height tier height}} \begin{matrix} 20 \text{ cm} \\ 4 \\ 40 \text{ cm} \end{matrix}$

ramp $\overbrace{\text{R0401.067}}^{\text{depth width height gradient}} \begin{matrix} 7,5^\circ \\ 5 \\ 3 \\ \leq 3,44^\circ \end{matrix}$

5. Set up schemes of various nivtec ascents and descents

5.1 stairway, tier height 20 cm

X0501.042	1-stufig	X1751.122	5-stufig
X0701.062	2-stufig	X2101.142	6-stufig
X1051.082	3-stufig	X2451.162	7-stufig
X1401.102	4-stufig	X2801.182	8-stufig
		X3151.202	9-stufig

5.2 stairway, tier height 16,66 cm

X0501.031	1-stufig
X0701.051	2-stufig
X1051.061	3-stufig
X1401.081	4-stufig
X1751.101	5-stufig

5.3 show stairway, tier height 20 cm

X0504.042	1-stufig
X0704.062	2-stufig
X1054.082	3-stufig
X1404.102	4-stufig

5.4 show stairway, tier height 16,66 cm

X0504.031	1-stufig
X0704.051	2-stufig
X1054.061	3-stufig
X1404.081	4-stufig
X1754.101	5-stufig

5.5 gallery, tier height 20 cm

T0503.062	Treppe seitlich
T0703.062	Treppe mittig

5.6 gallery, tier height 40 cm

T0503.124	Treppe seitlich
T0703.124	Treppe mittig

5.7 ramp, gradient 7,5° /-1°

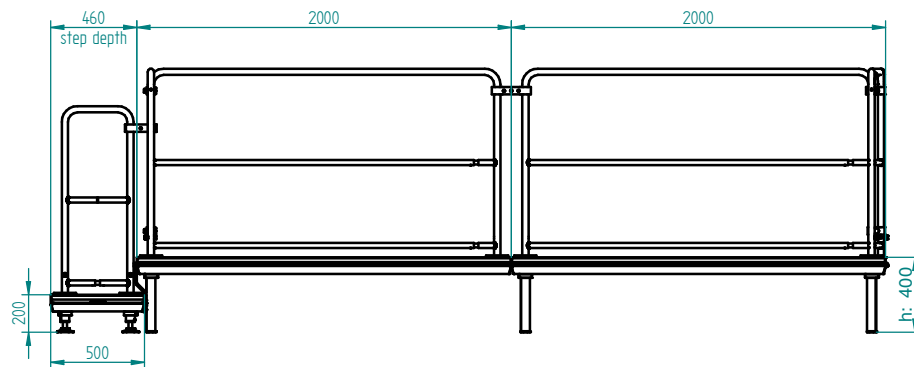
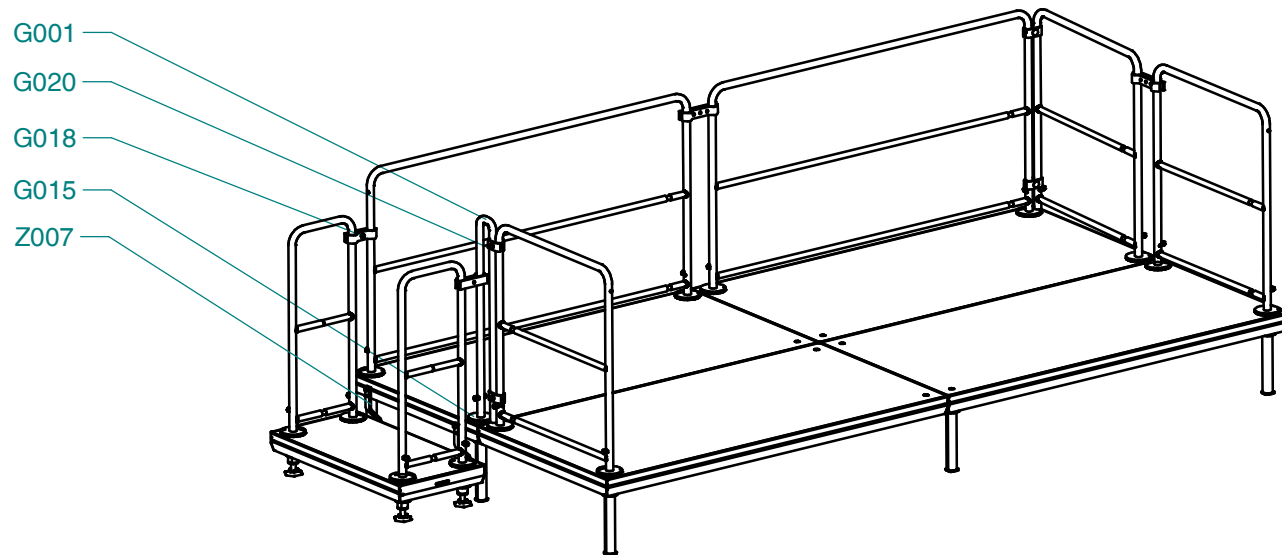
R0251.047	R0701.107
R0401.067	R0851.127
R0601.087	R1001.147

5.8 ramp, gradient 5° +1,5/-0,5

R0401.045	R1001.105
R0601.065	R1201.125
R0801.085	R1401.145

5.9 wheelchair ramp, gradient $\leq 3,44^\circ$, max. 6%, min. width 1,2 m

R0201.023	R1051.063
R0601.043	R1351.083



stage h: 40 cm

Group	Art.No.	Description	Piece
P001	111 01 0	system platform 200 x 100 cm	4
base construction			
U002	201 02 1	alu load distributor leg stage h: 40 cm	9
U011	200 06 7	floor protector for LD- & BB-leg skid-proof blue square	9
stage rails, 3 sides			
G006	301 03 0	safety rail h: 100 cm w: 185 cm	2
G004	301 02 0	safety rail h: 100 cm w: 85 cm	3
G015	310 01 0	rail support bolt Ø 26 mm	9
G017	310 10 5	rail link stage 150 mm reinforced	2
G019	310 20 0	adapter Ø 48.3 mm	3
G020	310 21 0	corner link	2

stairway, one step for h: 40 cm, tier height 20

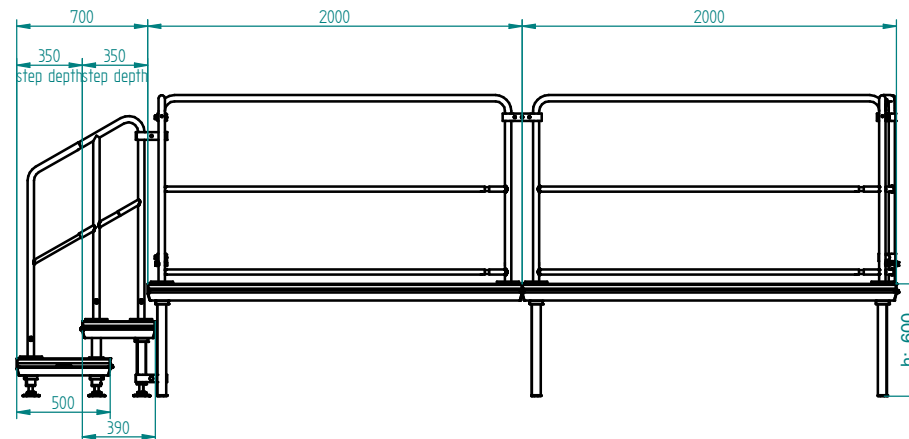
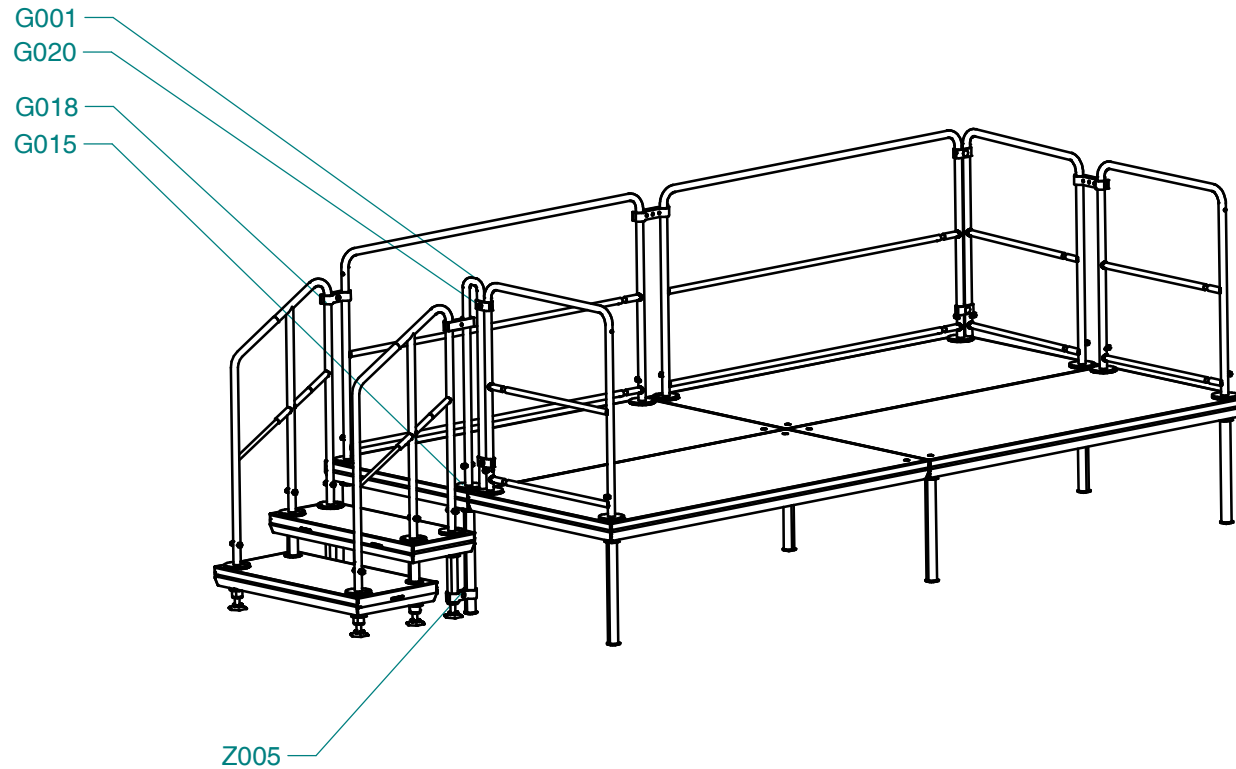
Group	Art.No.	Description	Piece
P009	111 06 0	system platform 100 x 50 cm	1
base construction			
U012	202 01 1	alu levelling leg +/- 3 cm stage h: 20 cm	4
U022	200 06 6	floor protector for L-& EX-leg skid-proof hexagonal	4
stairway rails, 2 sides			
G003	301 01 0	safety rail h: 100 cm w: 35 cm	2
G015	310 01 0	rail support bolt Ø 26 mm	4

connection of stairway and stage

Group	Art.No.	Description	Piece
Z007	402 01 0	link N-F 110 mm	2
G018	310 11 0	rail link gallery 110 mm	2
G001	301 00 4	safety rail h: 100 cm w: 10 cm	1
G015	310 01 0	rail support bolt Ø 26 mm	1
G020	310 21 0	corner link	2
G019	310 20 0	adapter Ø 48.3 mm	0



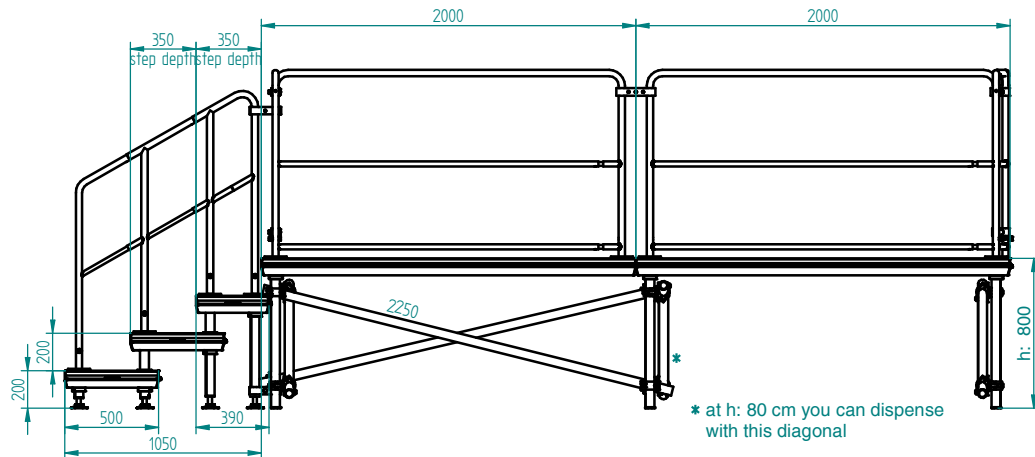
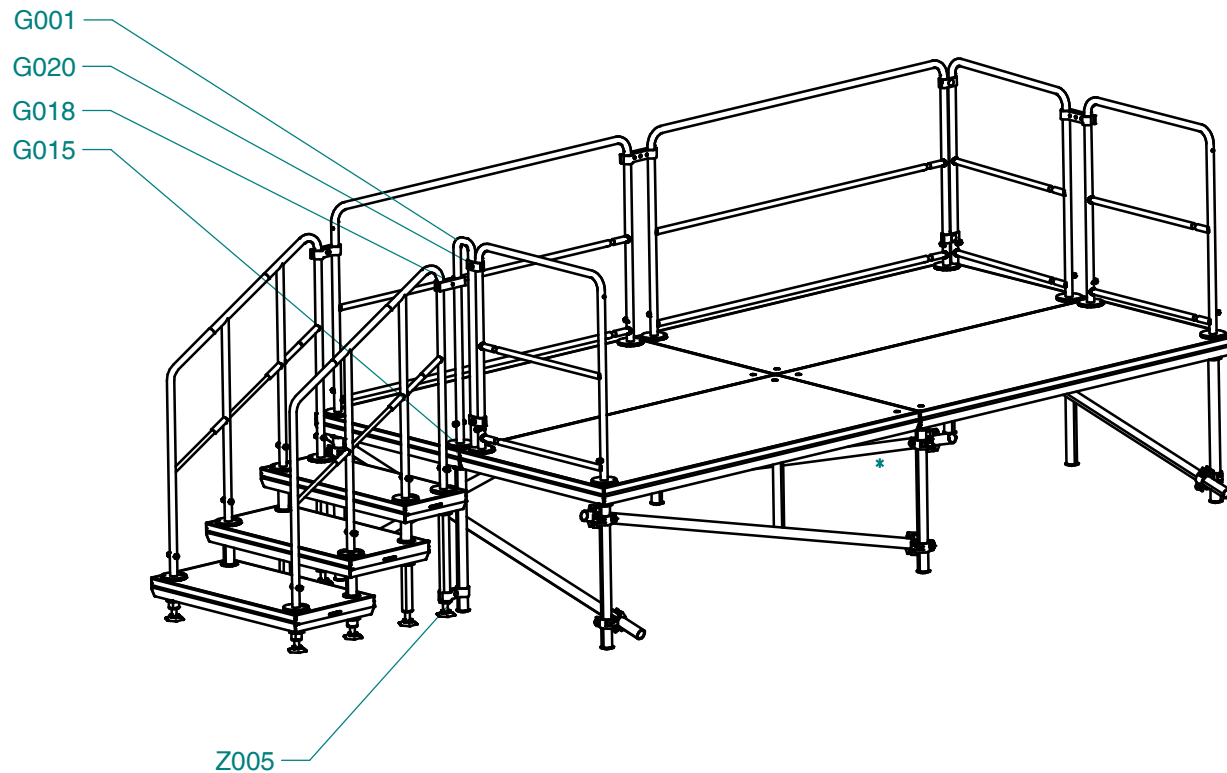
Description
stairway, one step for h: 40 cm, tier height 20



stage h: 60 cm			
Group	Art.No.	Description	Piece
P001	111 01 0	system platform 200 x 100 cm	4
base construction			
U003	201 03 1	alu load distributor leg stage h: 60 cm	9
U011	200 06 7	floor protector for LD- & BB-leg skid-proof blue square	9
stage rails, 3 sides			
G006	301 03 0	safety rail h: 100 cm w: 185 cm	2
G004	301 02 0	safety rail h: 100 cm w: 85 cm	3
G015	310 01 0	rail support bolt Ø 26 mm	9
G017	310 10 5	rail link stage 150 mm reinforced	2
G019	310 20 0	adapter Ø 48.3 mm	3
G020	310 21 0	corner link	2

stairway, two step for h: 60 cm, tier height 20			
Group	Art.No.	Description	Piece
P009	111 06 0	system platform 100 x 50 cm	1
P013	111 16 0	system platform 100 x 39 cm	1
base construction			
U012	202 01 1	alu levelling leg +/- 3 cm stage h: 20 cm	4
U013	202 02 1	alu levelling leg +/- 3 cm stage h: 40 cm	2
U022	200 06 6	floor protector for L-& EX-leg skid-proof hexagonal	6
Z003	401 01 0	step support bolt Ø 39 mm	2
Z001	205 01 0	step leg for step height: 20 cm	2
stairway rails, 2 sides			
G022	304 01 0	safety rail h: 100 cm stairway first part	2
G026	304 09 0	safety rail h: 100 cm stairway final part top step P	2
G015	310 01 0	rail support bolt Ø 26 mm	6

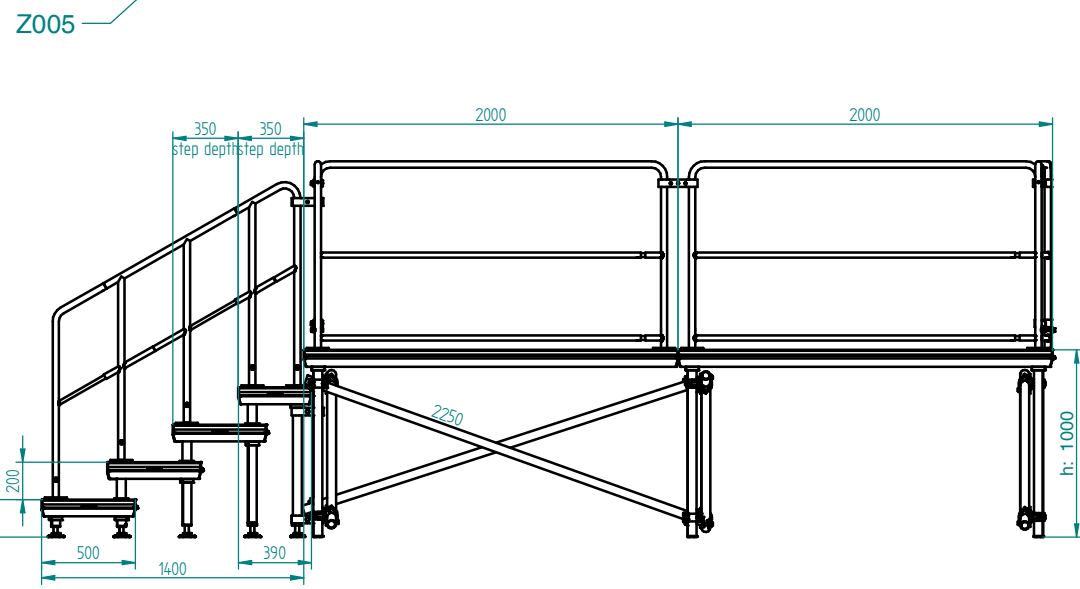
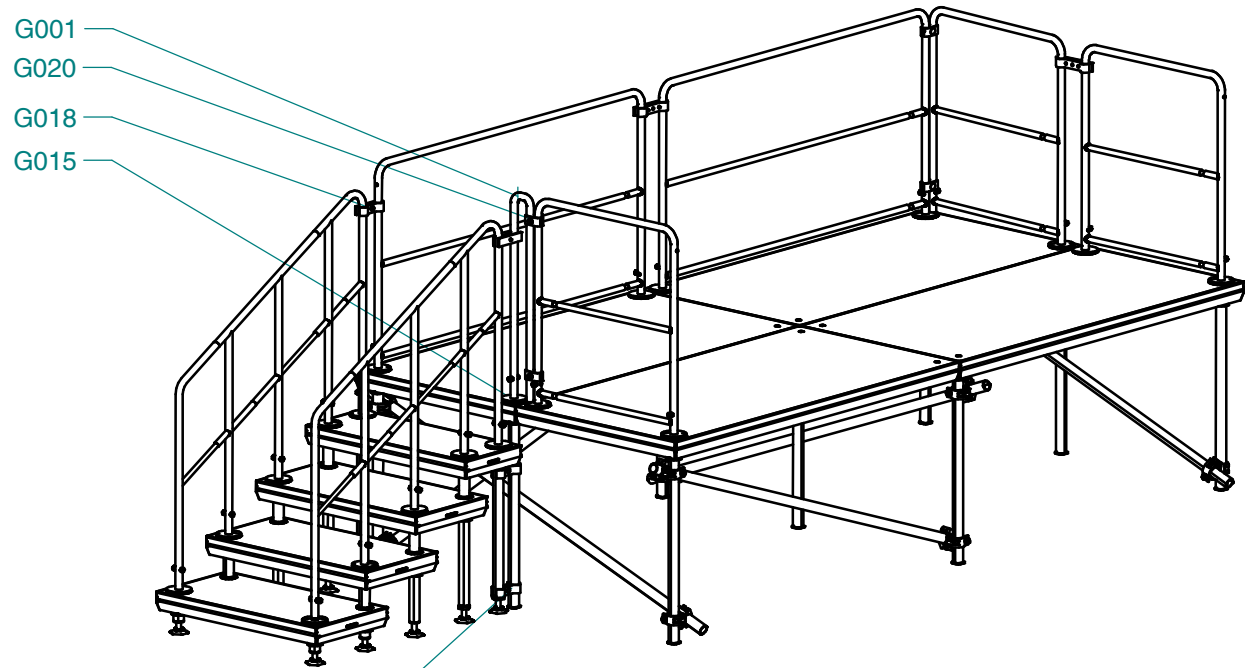
connection of stairway and stage			
Group	Art.No.	Description	Piece
Z005	401 10 0	leg link 110 mm	2
G018	310 11 0	rail link gallery 110 mm	2
G001	301 00 4	safety rail h: 100 cm w: 10 cm	1
G015	310 01 0	rail support bolt Ø 26 mm	1
G020	310 21 0	corner link	2
G019	310 20 0	adapter Ø 48.3 mm	0



stage h: 80 cm			
Group	Art.No.	Description	Piece
P001	111 01 0	system platform 200 x 100 cm	4
base construction			
U004	201 04 1	alu load distributor leg stage h: 80 cm	9
U011	200 06 7	floor protector for LD- & BB-leg skid-proof blue square	9
U058	200 31 3	alu diagonal brace bl: 200/185 cm, bh: 80-100cm, l: 2250 mm	5
U034	4.702.019	Layher swivel coupler Ø 48.3 mm	10
stage rails, 3 sides			
G006	301 03 0	safety rail h: 100 cm w: 185 cm	2
G004	301 02 0	safety rail h: 100 cm w: 85 cm	3
G015	310 01 0	rail support bolt Ø 26 mm	9
G017	310 10 5	rail link stage 150 mm reinforced	2
G019	310 20 0	adapter Ø 48.3 mm	3
G020	310 21 0	corner link	2

stairway, three step for h: 80 cm, tier height 20			
Group	Art.No.	Description	Piece
P009	111 06 0	system platform 100 x 50 cm	2
P013	111 16 0	system platform 100 x 39 cm	1
base construction			
U012	202 01 1	alu levelling leg +/- 3 cm stage h: 20 cm	4
U013	202 02 1	alu levelling leg +/- 3 cm stage h: 40 cm	2
U014	202 03 1	alu levelling leg +/- 3 cm stage h: 60 cm	2
U022	200 06 6	floor protector for L- & EX-leg skid-proof hexagonal	8
Z003	401 01 0	step support bolt Ø 39 mm	4
Z001	205 01 0	step leg for step height: 20 cm	4
stairway rails, 2 sides			
G022	304 01 0	safety rail h: 100 cm stairway first part	2
G023	304 02 0	safety rail h: 100 cm stairway middle part	2
G026	304 09 0	safety rail h: 100 cm stairway final part top step A	2
G015	310 01 0	rail support bolt Ø 26 mm	8


connection of stairway and stage			
Group	Art.No.	Description	Piece
Z005	401 10 0	leg link 110 mm	2
G018	310 11 0	rail link gallery 110 mm	2
G001	301 00 4	safety rail h: 100 cm w: 10 cm	1
G015	310 01 0	rail support bolt Ø 26 mm	1
G020	310 21 0	corner link	2
G019	310 20 0	adapter Ø 48.3 mm	0

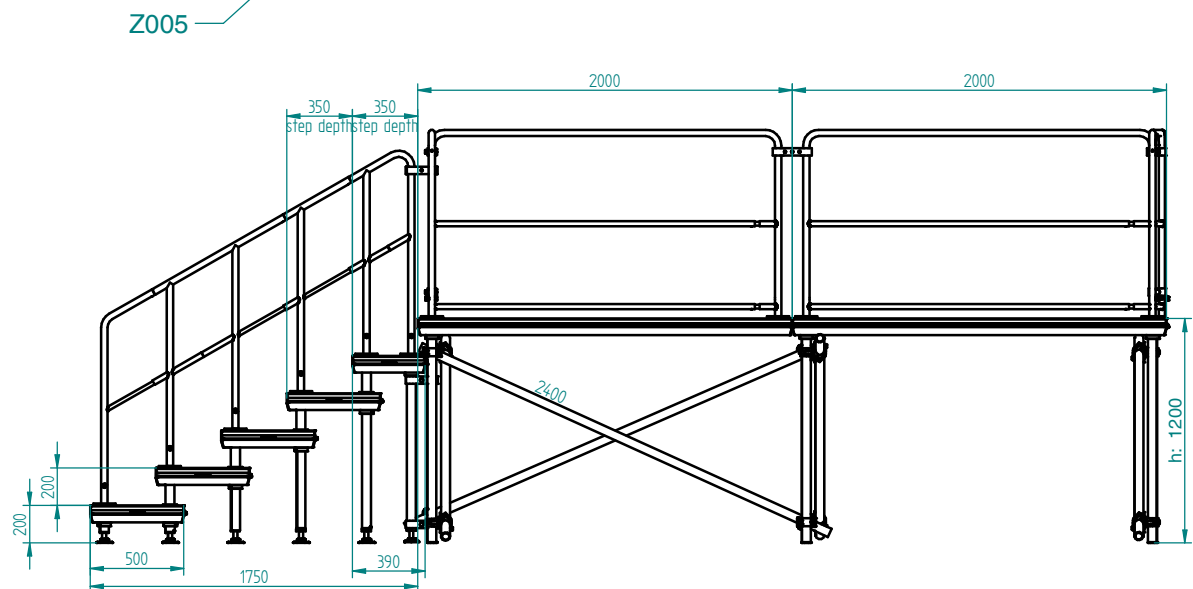
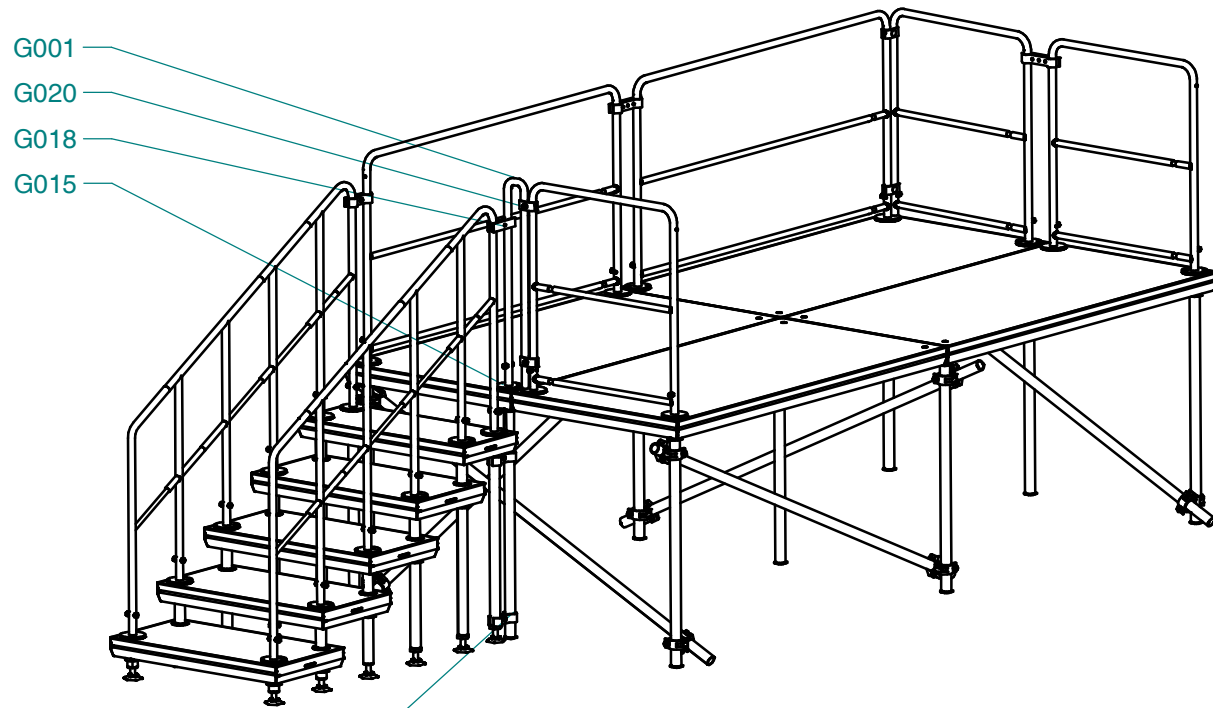


stage h: 100 cm			
Group	Art.No.	Description	Piece
P001	111 01 0	system platform 200 x 100 cm	4
base construction			
U005	211 05 1	alu load distributor leg stage h: 100 cm	9
U011	200 06 7	floor protector for LD- & BB-leg skid-proof blue square	9
U058	200 31 3	alu diagonal brace bl: 200/185 cm, bh: 80-100cm, l: 2250 mm	5
U034	4.702.019	Layher swivel coupler Ø 48.3 mm	10
stage rails, 3 sides			
G006	301 03 0	safety rail h: 100 cm w: 185 cm	2
G004	301 02 0	safety rail h: 100 cm w: 85 cm	3
G015	310 01 0	rail support bolt Ø 26 mm	9
G017	310 10 5	rail link stage 150 mm reinforced	2
G019	310 20 0	adapter Ø 48.3 mm	3
G020	310 21 0	corner link	2

stairway, four step for h: 100 cm, tier height 20			
Group	Art.No.	Description	Piece
P009	111 06 0	system platform 100 x 50 cm	3
P013	111 16 0	system platform 100 x 39 cm	1
base construction			
U012	202 01 1	alu levelling leg +/- 3 cm stage h: 20 cm	4
U013	202 02 1	alu levelling leg +/- 3 cm stage h: 40 cm	2
U014	202 03 1	alu levelling leg +/- 3 cm stage h: 60 cm	2
U015	202 04 1	alu levelling leg +/- 3 cm stage h: 80 cm	2
U022	200 06 6	floor protector for L- & EX-leg skid-proof hexagonal	10
Z003	401 01 0	step support bolt Ø 39 mm	6
Z001	205 01 0	step leg for step height: 20 cm	6
stairway rails, 2 sides			
G022	304 01 0	safety rail h: 100 cm stairway first part	2
G024	304 03 0	safety rail h: 100 cm stairway double middle part	2
G026	304 09 0	safety rail h: 100 cm stairway final part top step A	2
G015	310 01 0	rail support bolt Ø 26 mm	10

connection of stairway and stage			
Group	Art.No.	Description	Piece
Z005	401 10 0	leg link 110 mm	4
G018	310 11 0	rail link gallery 110 mm	2
G001	301 00 4	safety rail h: 100 cm w: 10 cm	1
G015	310 01 0	rail support bolt Ø 26 mm	1
G020	310 21 0	corner link	2
G019	310 20 0	adapter Ø 48.3 mm	0

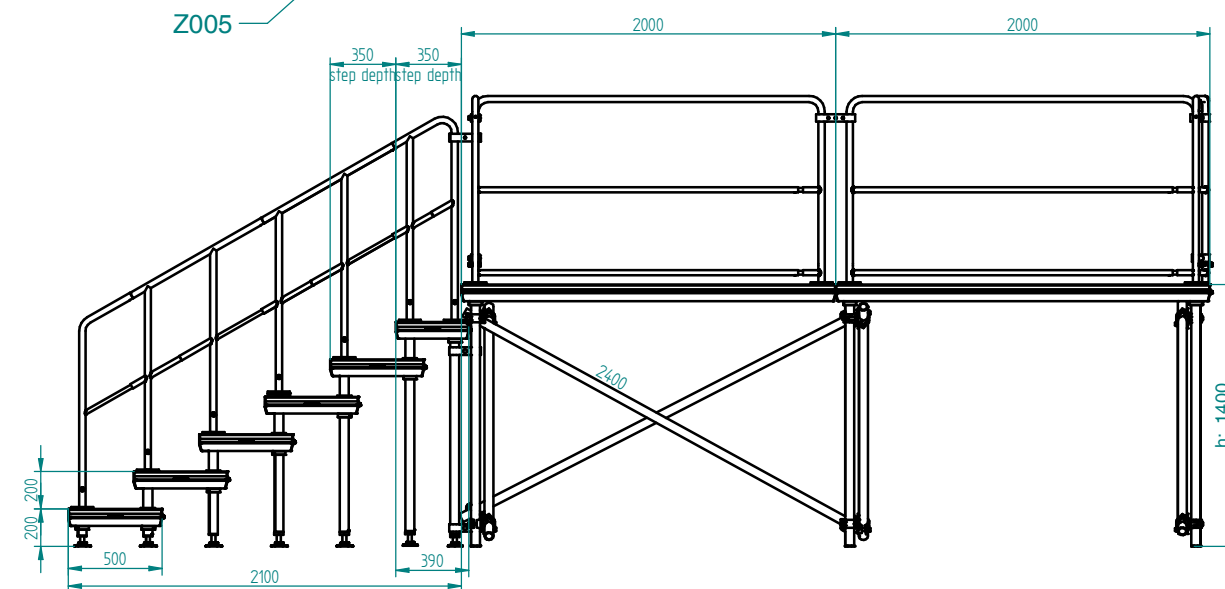
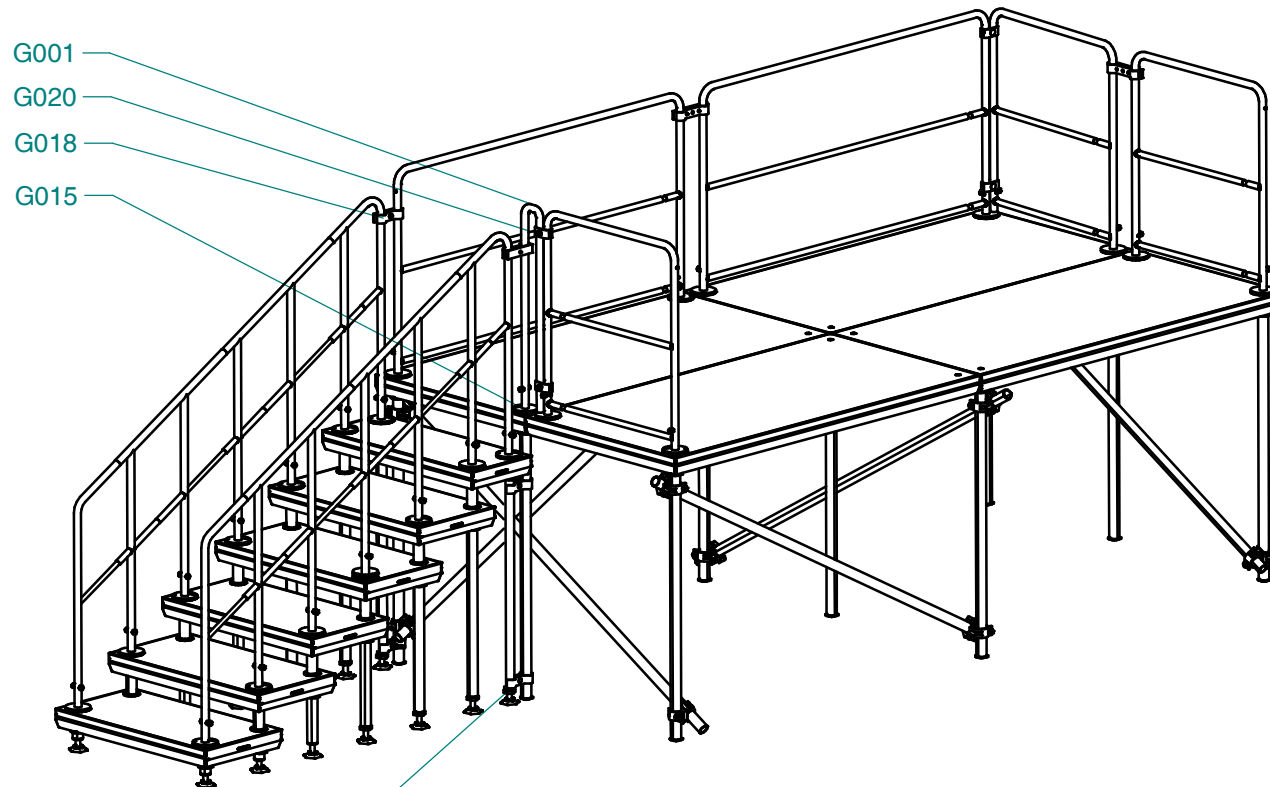
 info@nivtec.com	Description	stairway, four step for h: 100 cm, tier height 20		
	Art.No.	X1401.102	Date:	19.02.2024
		Sheet:	1 / 1	



stage h: 120 cm			
Group	Art.No.	Description	Piece
P001	111 01 0	system platform 200 x 100 cm	4
base construction			
U006	211 06 1	alu load distributor leg stage h: 120 cm	9
U011	200 06 7	floor protector for LD- & BB-leg skid-proof blue square	9
U060	200 31 4	alu diagonal brace bl:200/185 cm, bh:>100-140cm, l: 2400mm	5
U034	4.702.019	Layher swivel coupler Ø 48.3 mm	10
stage rails, 3 sides			
G006	301 03 0	safety rail h: 100 cm w: 185 cm	2
G004	301 02 0	safety rail h: 100 cm w: 85 cm	3
G015	310 01 0	rail support bolt Ø 26 mm	9
G017	310 10 5	rail link stage 150 mm reinforced	2
G019	310 20 0	adapter Ø 48.3 mm	3
G020	310 21 0	corner link	2

stairway, five step for h: 120 cm, tier height 20			
Group	Art.No.	Description	Piece
P009	111 06 0	system platform 100 x 50 cm	4
P013	111 16 0	system platform 100 x 39 cm	1
base construction			
U012	202 01 1	alu levelling leg +/- 3 cm stage h: 20 cm	4
U013	202 02 1	alu levelling leg +/- 3 cm stage h: 40 cm	2
U014	202 03 1	alu levelling leg +/- 3 cm stage h: 60 cm	2
U015	202 04 1	alu levelling leg +/- 3 cm stage h: 80 cm	2
U016	212 05 1	alu levelling leg +/- 3 cm stage h: 100 cm	2
U022	200 06 6	floor protector for L-& EX-leg skid-proof hexagonal	12
Z003	401 01 0	step support bolt Ø 39 mm	8
Z001	205 01 0	step leg for step height: 20 cm	8
stairway rails, 2 sides			
G022	304 01 0	safety rail h: 100 cm stairway first part	2
G023	304 02 0	safety rail h: 100 cm stairway middle part	2
G024	304 03 0	safety rail h: 100 cm stairway double middle part	2
G026	304 09 0	safety rail h: 100 cm stairway final part top step A	2
G015	310 01 0	rail support bolt Ø 26 mm	12

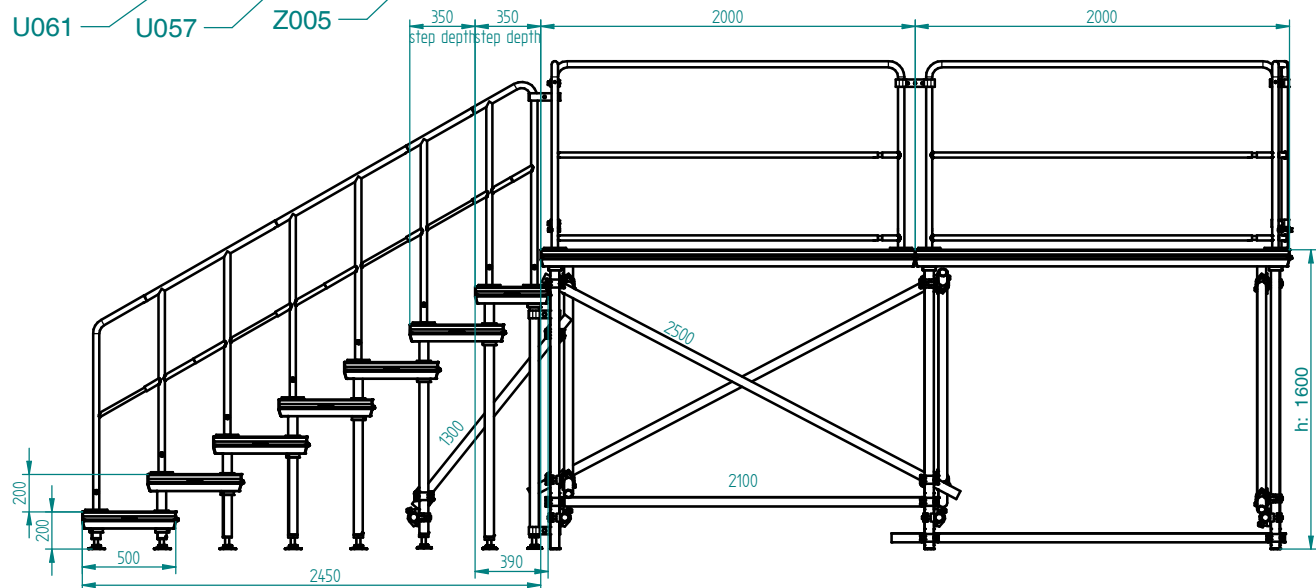
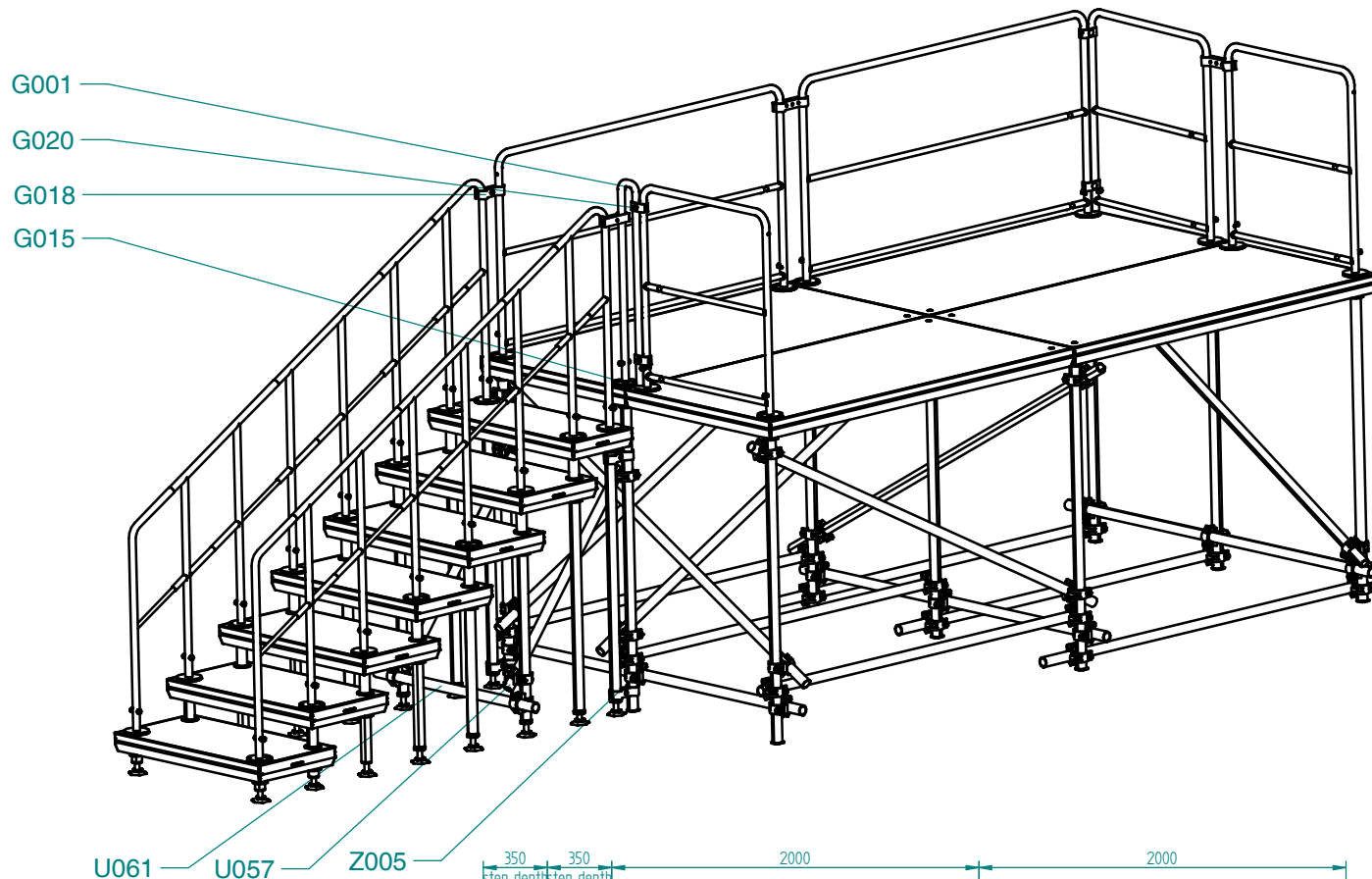
connection of stairway and stage			
Group	Art.No.	Description	Piece
Z005	401 10 0	leg link 110 mm	4
G018	310 11 0	rail link gallery 110 mm	2
G001	301 00 4	safety rail h: 100 cm w: 10 cm	1
G015	310 01 0	rail support bolt Ø 26 mm	1
G020	310 21 0	corner link	2
G019	310 20 0	adapter Ø 48.3 mm	0



stage h: 140 cm			
Group	Art.No.	Description	Piece
P001	111 01 0	system platform 200 x 100 cm	4
base construction			
U007	211 07 1	alu load distributor leg stage h: 140 cm	9
U011	200 06 7	floor protector for LD- & BB-leg skid-proof blue square	9
U060	200 31 4	alu diagonal brace bl:200/185 cm, bh:>100-140cm, l: 2400mm	5
U034	4.702.019	Layher swivel coupler Ø 48.3 mm	10
stage rails, 3 sides			
G006	301 03 0	safety rail h: 100 cm w: 185 cm	2
G004	301 02 0	safety rail h: 100 cm w: 85 cm	3
G015	310 01 0	rail support bolt	9
G017	310 10 5	rail link stage 150 mm reinforced	2
G019	310 20 0	adapter Ø 48.3 mm	3
G020	310 21 0	corner link	2

stairway, six step for h: 140 cm, tier height 20			
Group	Art.No.	Description	Piece
P009	111 06 0	system platform 100 x 50 cm	5
P013	111 16 0	system platform 100 x 39 cm	1
base construction			
U012	202 01 1	alu levelling leg +/- 3 cm stage h: 20 cm	4
U013	202 02 1	alu levelling leg +/- 3 cm stage h: 40 cm	2
U014	202 03 1	alu levelling leg +/- 3 cm stage h: 60 cm	2
U015	202 04 1	alu levelling leg +/- 3 cm stage h: 80 cm	2
U016	212 05 1	alu levelling leg +/- 3 cm stage h: 100 cm	2
U017	212 06 1	alu levelling leg +/- 3 cm stage h: 120 cm	2
U022	200 06 6	floor protector for L- & EX-leg skid-proof hexagonal	14
Z003	401 01 0	step support bolt Ø 39 mm	10
Z001	205 01 0	step leg for step height 20 cm	10
stairway rails, 2 sides			
G022	304 01 0	safety rail h: 100 cm stairway first part	2
G024	304 03 0	safety rail h: 100 cm stairway double middle part	4
G026	304 09 0	safety rail h: 100 cm stairway final part top step A	2
G015	310 01 0	rail support bolt Ø 26 mm	14

connection of stairway and stage			
Group	Art.No.	Description	Piece
Z005	401 10 0	leg link 110 mm	4
G018	310 11 0	rail link gallery 110 mm	2
G001	301 00 4	safety rail h: 100 cm w: 10 cm	1
G015	310 01 0	rail support bolt Ø 26 mm	1
G020	310 21 0	corner link	2
G019	310 20 0	adapter Ø 48.3 mm	0



stage h: 160 cm

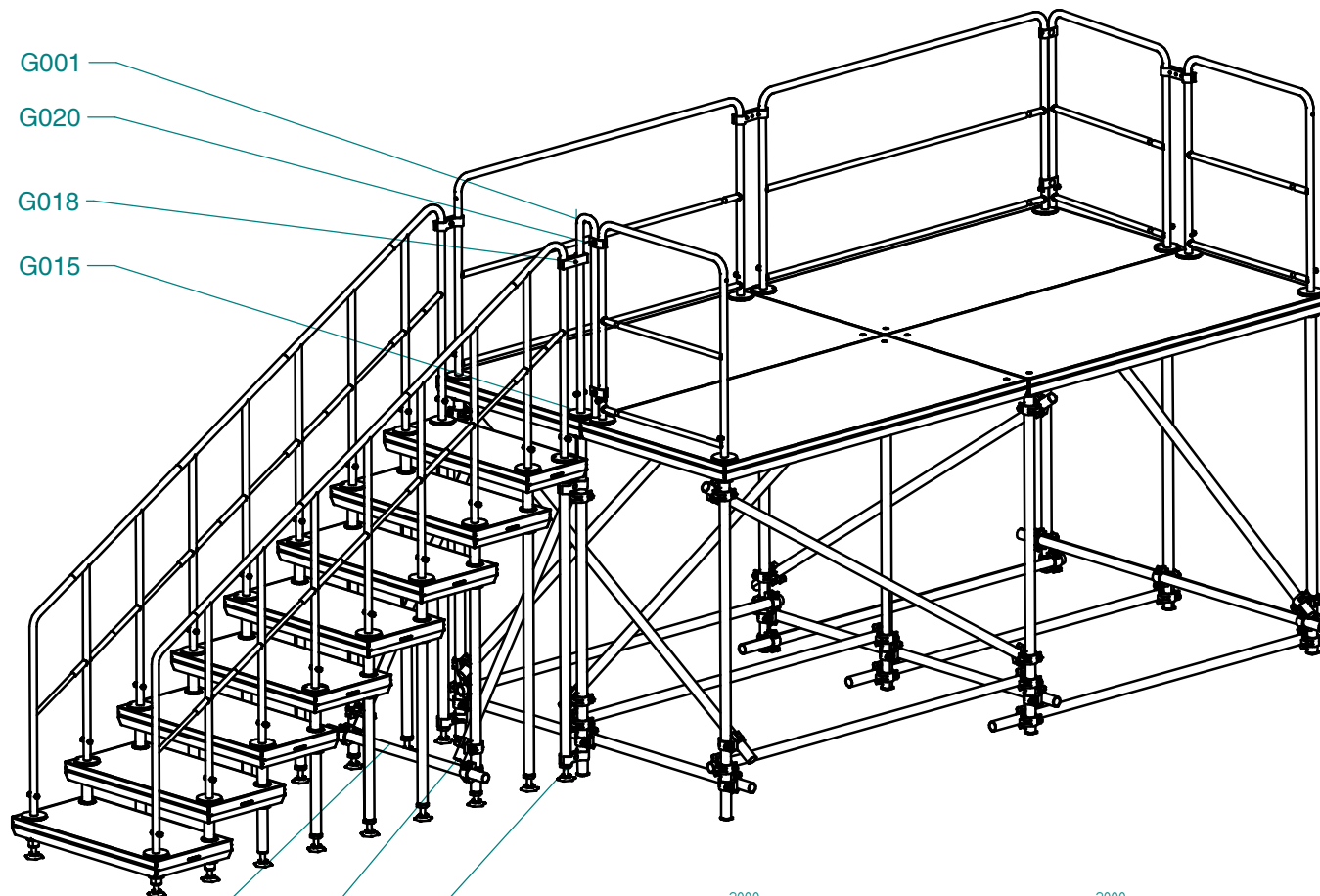
Group	Art.No.	Description	Piece
P001	111 01 0	system platform 200 x 100 cm	4
base construction			
U008	211 08 1	alu load distributor leg stage h: 160 cm	9
U011	200 06 7	floor protector for LD- & BB-leg skid-proof blue square	9
U064	200 31 6	alu diagonal brace bl:200/185 cm, bh:>140-180cm, l: 2500mm	6
U034	4.702.019	Layher swivel coupler Ø 48.3 mm	12
U062	200 31 5	alu horizontal brace bay l: 200/185 cm l: 2100 mm	9
U035	4.700.019	Layher standard coupler Ø 48.3 mm	21
stage rails, 3 sides			
G006	301 03 0	safety rail h: 100 cm w: 185 cm	2
G004	301 02 0	safety rail h: 100 cm w: 85 cm	3
G015	310 01 0	rail support bolt Ø 26 mm	9
G017	310 10 5	rail link stage 150 mm reinforced	2
G019	310 20 0	adapter Ø 48.3 mm	3
G020	310 21 0	corner link	2

stairway, seven step for h: 160 cm, tier height 20

Group	Art.No.	Description	Piece
P009	111 06 0	system platform 100 x 50 cm	6
P013	111 16 0	system platform 100 x 39 cm	1
base construction			
U012	202 01 1	alu levelling leg +/- 3 cm stage h: 20 cm	4
U013	202 02 1	alu levelling leg +/- 3 cm stage h: 40 cm	2
U014	202 03 1	alu levelling leg +/- 3 cm stage h: 60 cm	2
U015	202 04 1	alu levelling leg +/- 3 cm stage h: 80 cm	2
U016	212 05 1	alu levelling leg +/- 3 cm stage h: 100 cm	2
U017	212 06 1	alu levelling leg +/- 3 cm stage h: 120 cm	2
U018	213 07 1	alu levelling leg +/- 3 cm stage h: 140 cm	2
U022	200 06 6	floor protector for L- & EX-leg skid-proof hexagonal	16
Z003	401 01 0	step support bolt Ø 39 mm	12
Z001	205 01 0	step leg for step height: 20 cm	12
stairway rails, 2 sides			
G022	304 01 0	safety rail h: 100 cm stairway first part	2
G023	304 02 0	safety rail h: 100 cm stairway middle part	2
G024	304 03 0	safety rail h: 100 cm stairway double middle part	4
G026	304 09 0	safety rail h: 100 cm stairway final part top step A	2
G015	310 01 0	rail support bolt Ø 26 mm	16

connection of stairway and stage

Group	Art.No.	Description	Piece
Z005	401 10 0	leg link 110 mm	4
U057	200 31 1	alu diagonal brace bl: 100 / 85 cm, bh: 80-100cm, l: 1300 mm	2
U034	4.702.019	Layher swivel coupler Ø 48.3 mm	4
U061	200 31 7	alu horizontal brace bay l: 100/85 cm l: 1100 mm	1
U035	4.700.019	Layher standard coupler Ø 48.3 mm	2
G018	310 11 0	rail link gallery 110 mm	2
G001	301 00 4	safety rail h: 100 cm w: 10 cm	1
G015	310 01 0	rail support bolt Ø 26 mm	1
G020	310 21 0	corner link	2
G019	310 20 0	adapter Ø 48.3 mm	0



stage h: 180 cm

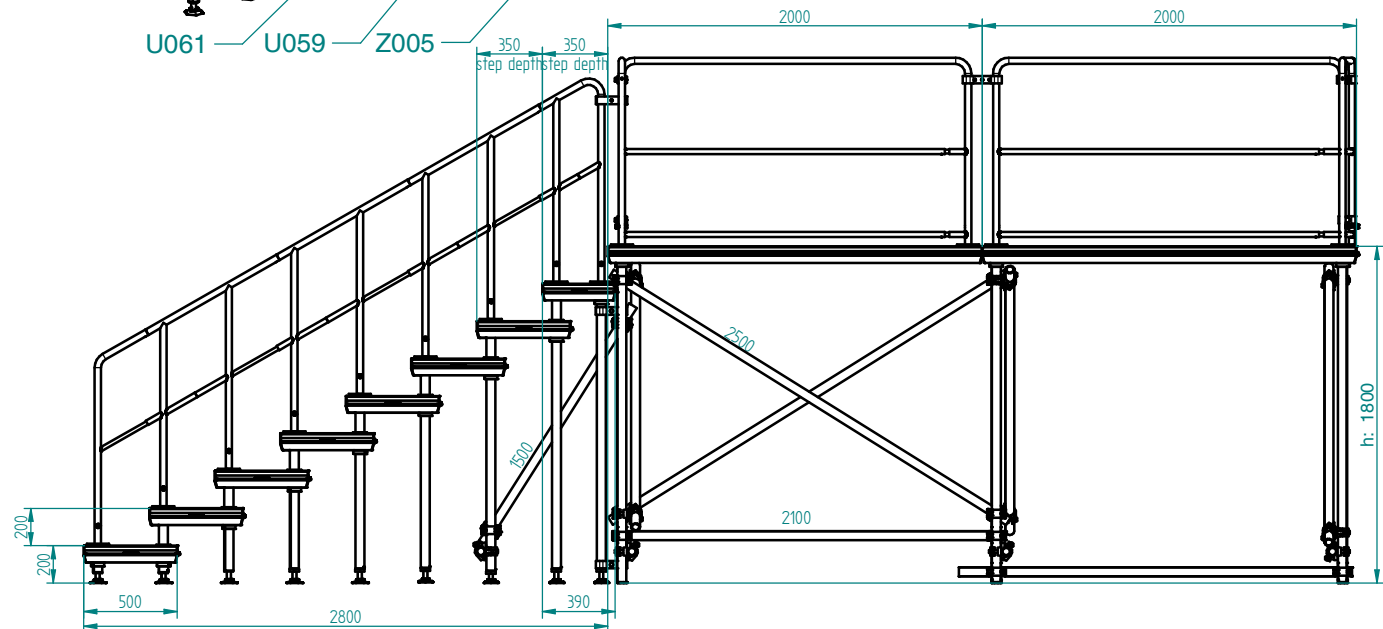
Group	Art.No.	Description	Piece
P001	111 01 0	system platform 200 x 100 cm	4
base construction			
U009	211 09 1	alu load distributor leg stage h: 180 cm	9
U011	200 06 7	floor protector for LD- & BB-leg skid-proof blue square	9
U064	200 31 6	alu diagonal brace bl:200/185 cm, bh:>140-180cm, l: 2500mm	6
U034	4.702.019	Layher swivel coupler Ø 48.3 mm	12
U062	200 31 5	alu horizontal brace bay l: 200/185 cm l: 2100 mm	9
U035	4.700.019	Layher standard coupler Ø 48.3 mm	21
stage rails, 3 sides			
G006	301 03 0	safety rail h: 100 cm w: 185 cm	2
G004	301 02 0	safety rail h: 100 cm w: 85 cm	3
G015	310 01 0	rail support bolt Ø 26 mm	9
G017	310 10 5	rail link stage 150 mm reinforced	2
G019	310 20 0	adapter Ø 48.3 mm	3
G020	310 21 0	corner link	2

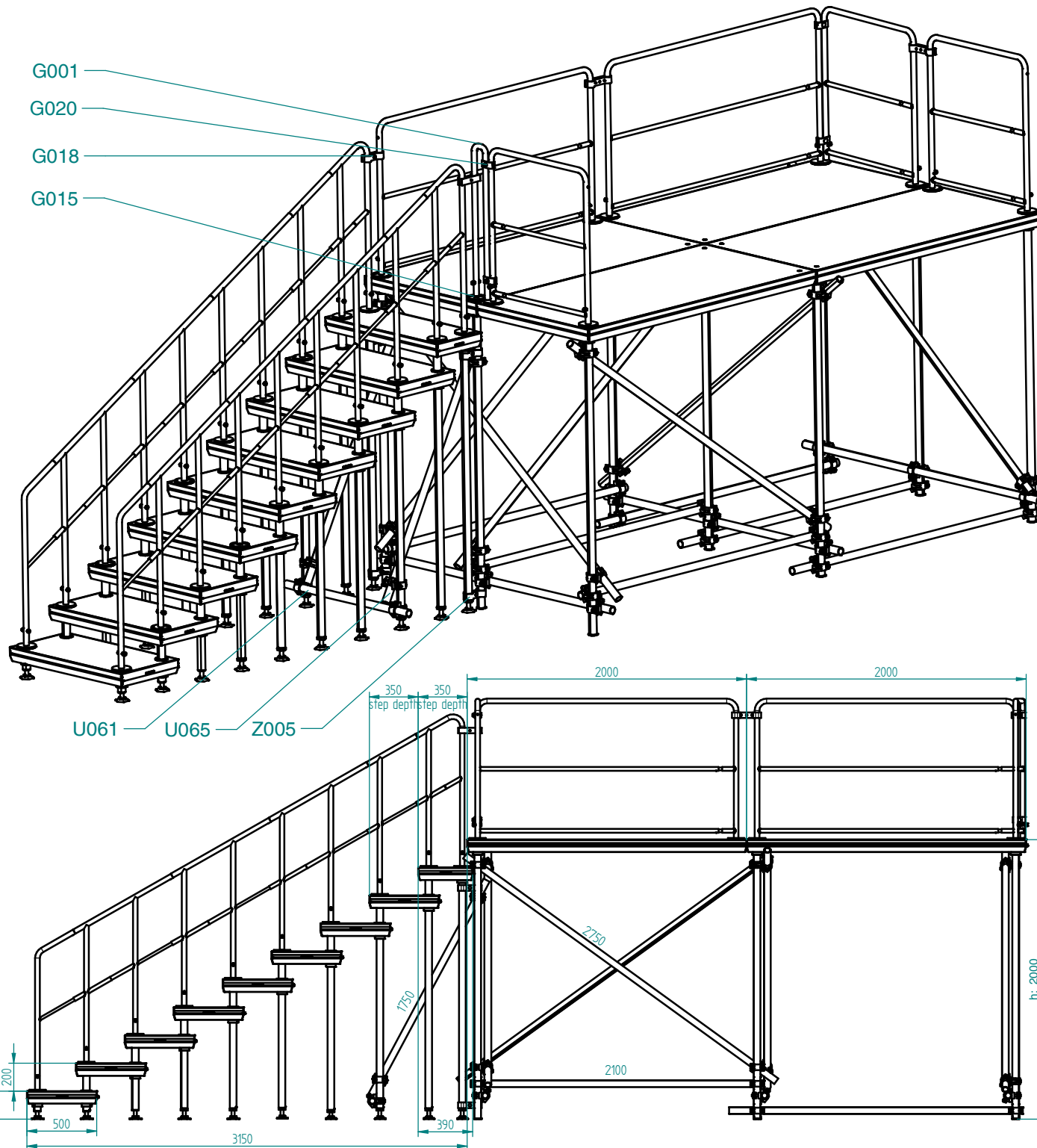
stairway, eight step for h: 180 cm, tier height 20

Group	Art.No.	Description	Piece
P009	111 06 0	system platform 100 x 50 cm	7
P013	111 16 0	system platform 100 x 39 cm	1
base construction			
U012	202 01 1	alu levelling leg +/- 3 cm stage h: 20 cm	4
U013	202 02 1	alu levelling leg +/- 3 cm stage h: 40 cm	2
U014	202 03 1	alu levelling leg +/- 3 cm stage h: 60 cm	2
U015	202 04 1	alu levelling leg +/- 3 cm stage h: 80 cm	2
U016	212 05 1	alu levelling leg +/- 3 cm stage h: 100 cm	2
U017	212 06 1	alu levelling leg +/- 3 cm stage h: 120 cm	2
U018	212 07 1	alu levelling leg +/- 3 cm stage h: 140 cm	2
U019	212 08 1	alu levelling leg +/- 3 cm stage h: 160 cm	2
U022	200 06 6	floor protector for L- & EX-leg skid-proof hexagonal	18
Z003	401 01 0	step support bolt Ø 39 mm	14
Z001	205 01 0	step leg for step height: 20 cm	14
stairway rails, 2 sides			
G022	304 01 0	safety rail h: 100 cm stairway first part	2
G024	304 03 0	safety rail h: 100 cm stairway double middle part	6
G026	304 09 0	safety rail h: 100 cm stairway final part top step A	2
G015	310 01 0	rail support bolt Ø 26 mm	18

connection of stairway and stage

Group	Art.No.	Description	Piece
Z005	401 10 0	leg link 110 mm	4
U059	200 31 2	alu diagonal brace bl:100 / 85 cm, bh:>100-140cm, l: 1500mm	2
U034	4.702.019	Layher swivel coupler Ø 48.3 mm	4
U061	200 31 7	alu horizontal brace bay l: 100/ 85 cm l: 1100 mm	1
U035	4.700.019	Layher standard coupler Ø 48.3 mm	2
G018	310 11 0	rail link gallery 110 mm	2
G001	301 00 4	safety rail h: 100 cm w: 10 cm	1
G015	310 01 0	rail support bolt Ø 26 mm	1
G020	310 21 0	corner link	2
G019	310 20 0	adapter Ø 48.3 mm	0





stage h: 200 cm

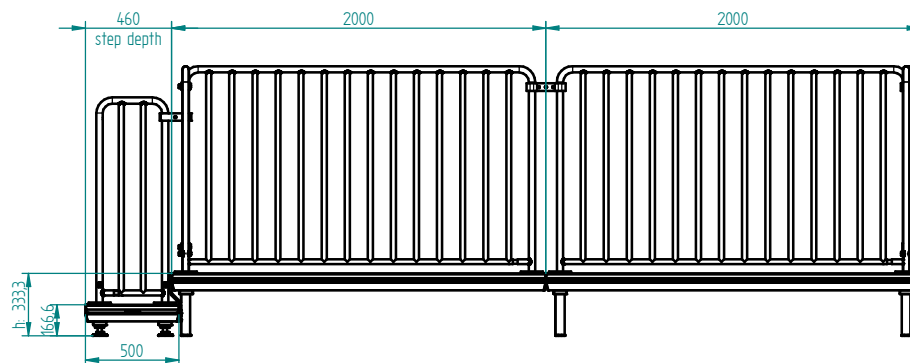
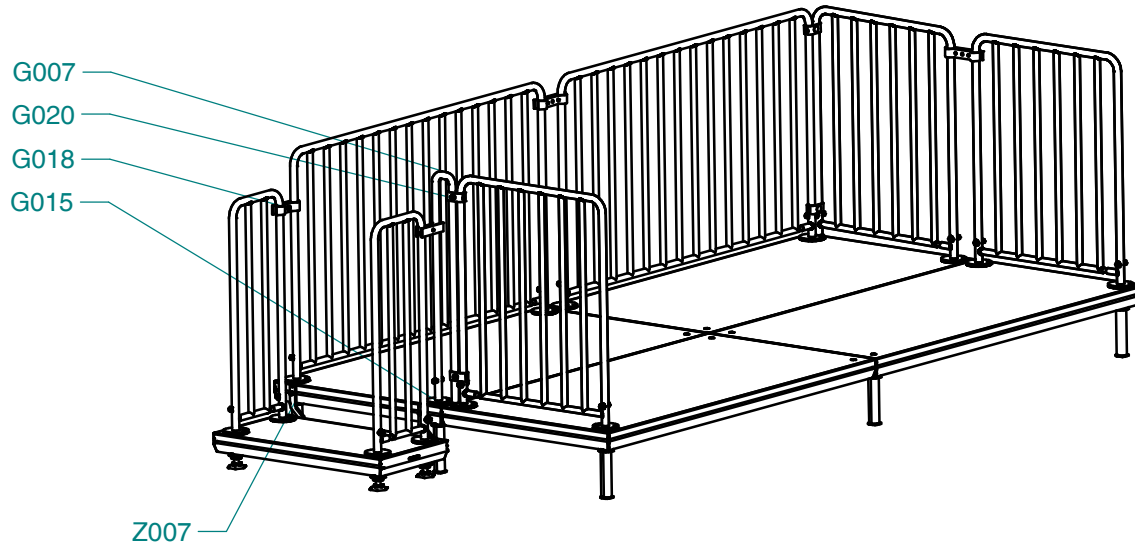
Group	Art.No.	Description	Piece
P001	111 01 0	system platform 200 x 100 cm	4
base construction			
U010	211 10 1	alu load distributor leg stage h: 200 cm	9
U011	200 06 7	floor protector for LD- & BB-leg skid-proof blue square	9
U066	200 32 1	alu diagonal brace bl:200/185 cm, bh:>180-200cm, l: 2750mm	6
U034	4.702.019	Layher swivel coupler Ø 48.3 mm	12
U062	200 31 5	alu horizontal brace bay l: 200/185 cm l: 2100 mm	9
U035	4.700.019	Layher standard coupler Ø 48.3 mm	21
stage rails, 3 sides			
G006	301 03 0	safety rail h: 100 cm w: 185 cm	2
G004	301 02 0	safety rail h: 100 cm w: 85 cm	3
G015	310 01 0	rail support bolt Ø 26 mm	9
G017	310 10 5	rail link stage 150 mm reinforced	2
G019	310 20 0	adapter Ø 48.3 mm	3
G020	310 21 0	corner link	2

stairway, nine step for h: 200 cm, tier height 20

Group	Art.No.	Description	Piece
P009	111 06 0	system platform 100 x 50 cm	8
P013	111 16 0	system platform 100 x 39 cm	1
base construction			
U012	202 01 1	alu levelling leg +/- 3 cm stage h: 20 cm	4
U013	202 02 1	alu levelling leg +/- 3 cm stage h: 40 cm	2
U014	202 03 1	alu levelling leg +/- 3 cm stage h: 60 cm	2
U015	202 04 1	alu levelling leg +/- 3 cm stage h: 80 cm	2
U016	212 05 1	alu levelling leg +/- 3 cm stage h: 100 cm	2
U017	212 06 1	alu levelling leg +/- 3 cm stage h: 120 cm	2
U018	212 07 1	alu levelling leg +/- 3 cm stage h: 140 cm	2
U019	212 08 1	alu levelling leg +/- 3 cm stage h: 160 cm	2
U020	212 09 1	alu levelling leg +/- 3 cm stage h: 180 cm	2
U022	200 06 6	floor protector for L- & EX-leg skid-proof hexagonal	20
Z003	401 01 0	step support bolt Ø 39 mm	16
Z001	205 01 0	step leg for step height: 20 cm	16
stairway rails, 2 sides			
G022	304 01 0	safety rail h: 100 cm stairway first part	2
G023	304 02 0	safety rail h: 100 cm stairway middle part	2
G024	304 03 0	safety rail h: 100 cm stairway double middle part	6
G026	304 09 0	safety rail h: 100 cm stairway final part top step A	2
G015	310 01 0	rail support bolt Ø 26 mm	20

connection of stairway and stage

Group	Art.No.	Description	Piece
Z005	401 10 0	leg link 110 mm	4
U065	200 32 0	alu diagonal brace bl:100/ 85 cm, bh:>180-200cm, l: 1750mm	2
U034	4.702.019	Layher swivel coupler Ø 48.3 mm	4
U061	200 31 7	alu horizontal brace bay l: 100/ 85 cm l: 1100 mm	1
U035	4.700.019	Layher standard coupler Ø 48.3 mm	2
G018	310 11 0	rail link gallery 110 mm	2
G001	301 00 4	safety rail h: 100 cm w: 10 cm	1
G015	310 01 0	rail support bolt Ø 26 mm	1
G020	310 21 0	corner link	2
G019	310 20 0	adapter Ø 48.3 mm	0



stage h: 33,33 cm

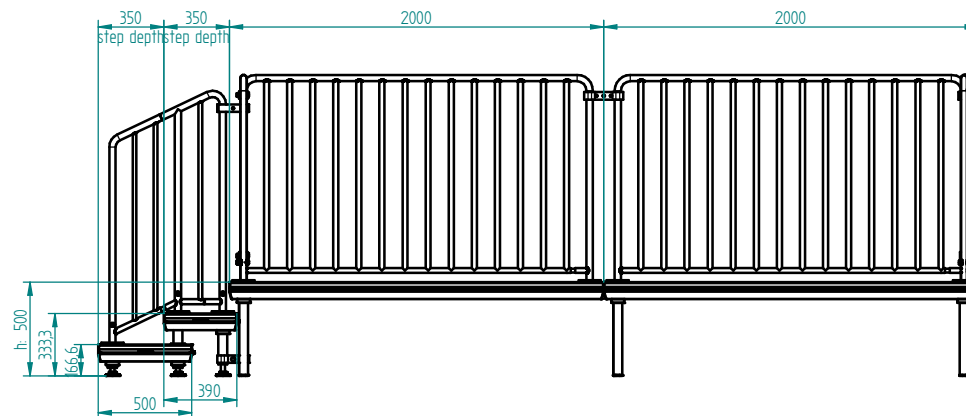
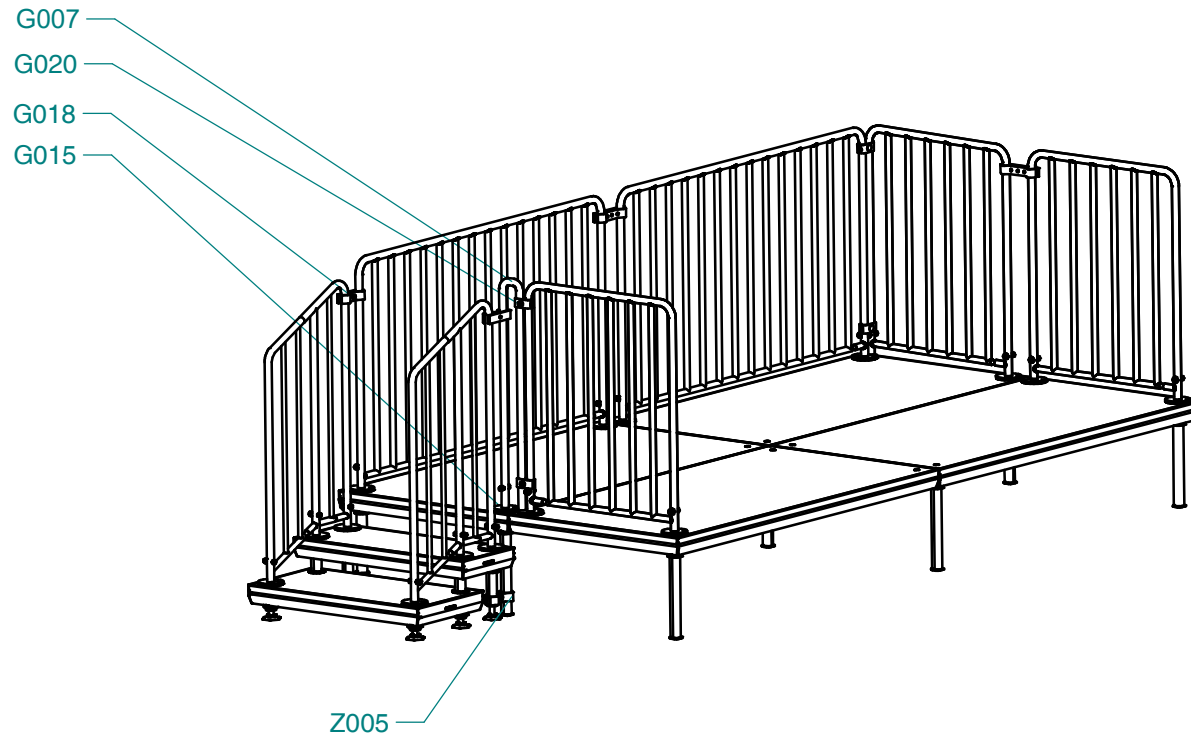
Group	Art.No.	Description	Piece
P001	111 01 0	system platform 200 x 100 cm	4
base construction			
U068	211 14 1	alu load distributor leg stage h: 33,33 cm	9
U011	200 06 7	floor protector for LD- & BB-leg skid-proof blue square	9
stage rails, 3 sides			
G012	303 03 0	safety rail vertical bars h:110 cm w: 185 cm	2
G010	303 02 0	safety rail vertical bars h:110 cm w: 85 cm	3
G015	310 01 0	rail support bolt Ø 26 mm	9
G017	310 10 5	rail link stage 150 mm reinforced	2
G019	310 20 0	adapter Ø 48.3 mm	3
G020	310 21 0	corner link	2

stairway, one step for h: 33,33 cm, tier height 16,66

Group	Art.No.	Description	Piece
P009	111 06 0	system platform 100 x 50 cm	1
base construction			
U076	202 13 1	alu levelling leg +/- 2 cm stage h: 16,66 cm	4
U022	200 06 6	floor protector for L- & EX-leg skid-proof hexagonal	4
stairway rails, 2 sides			
G009	303 01 0	safety rail vertical bars h:110 cm w: 35 cm	2
G015	310 01 0	rail support bolt Ø 26 mm	4

connection of stairway and stage

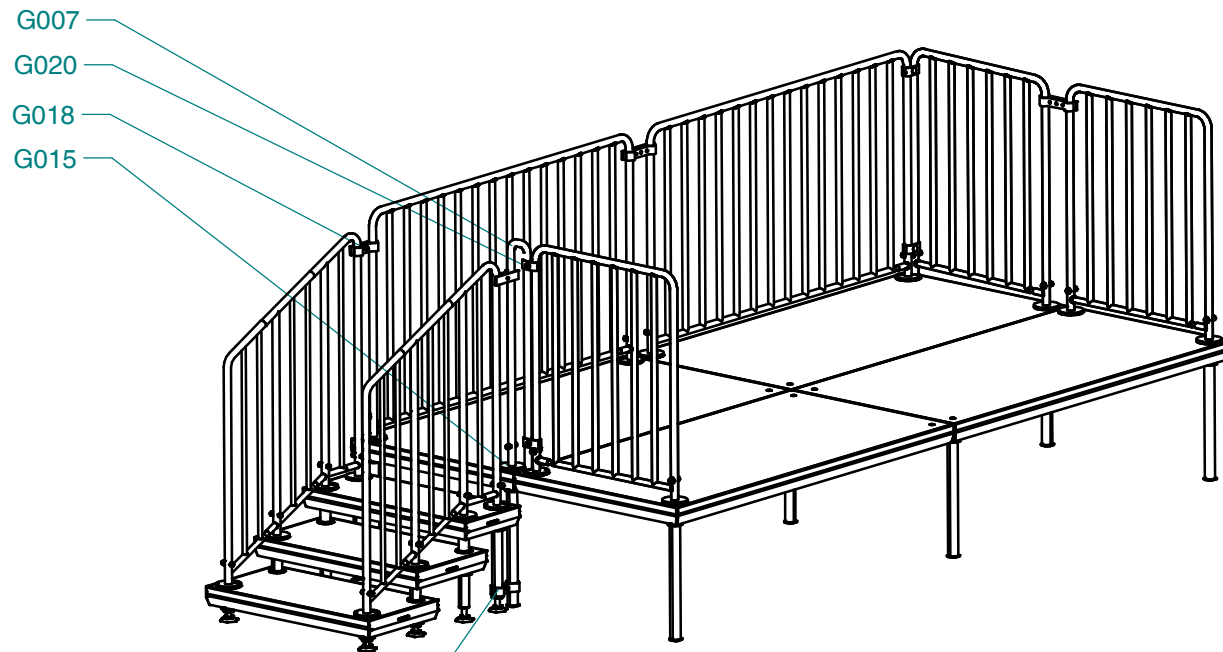
Group	Art.No.	Description	Piece
Z007	402 01 0	link N-F 110 mm	2
G018	310 11 0	rail link gallery 110 mm	2
G007	303 00 4	safety rail vertical bars h:110 cm w: 10 cm	1
G015	310 01 0	rail support bolt Ø 26 mm	1
G020	310 21 0	corner link	2
G019	310 20 0	adapter Ø 48.3 mm	0



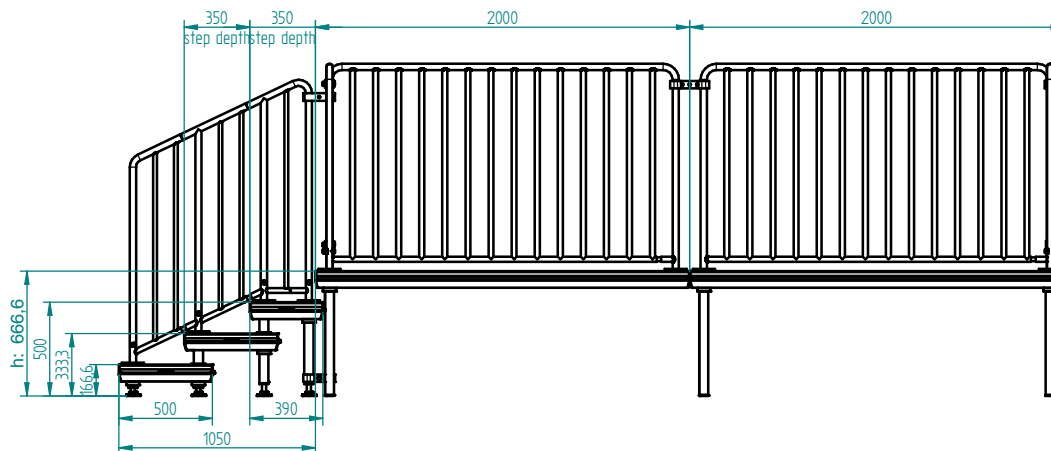
stage h: 50 cm			
Group	Art.No.	Description	Piece
P001	111 01 0	system platform 200 x 100 cm	4
base construction			
U069	211 15 1	alu load distributor leg stage h: 50,00 cm	9
U011	200 06 7	floor protector for LD- & BB-leg skid-proof blue square	9
stage rails, 3 sides			
G012	303 03 0	safety rail vertical bars h:110 cm w: 185 cm	2
G010	303 02 0	safety rail vertical bars h:110 cm w: 85 cm	3
G015	310 01 0	rail support bolt Ø 26 mm	9
G017	310 10 5	rail link stage 150 mm reinforced	2
G019	310 20 0	adapter Ø 48.3 mm	3
G020	310 21 0	corner link	2

stairway, two step for h: 50 cm, tier height 16,66			
Group	Art.No.	Description	Piece
P009	111 06 0	system platform 100 x 50 cm	1
P013	111 16 0	system platform 100 x 39 cm	1
base construction			
U076	202 13 1	alu levelling leg +/- 2 cm stage h: 16,66 cm	4
U077	202 14 1	alu levelling leg +/- 3 cm stage h: 33,33 cm	2
U022	200 06 6	floor protector for L-& EX-leg skid-proof hexagonal	6
Z003	401 01 0	step support bolt Ø 39 mm	2
Z002	205 04 0	step leg for step height: 16.66 cm - theatre ascent	2
stairway rails, 2 sides			
G028	312 01 1	safety rail vert. bars h:110 cm stairway first part	2
G031	312 09 1	safety rail vert.bars h:110 cm stairway final part top step A	2
G015	310 01 0	rail support bolt Ø 26 mm	6

connection of stairway and stage			
Group	Art.No.	Description	Piece
Z005	401 10 0	leg link 110 mm	2
G018	310 11 0	rail link gallery 110 mm	2
G007	303 00 4	safety rail vertical bars h:110 cm w: 10 cm	1
G015	310 01 0	rail support bolt Ø 26 mm	1
G020	310 21 0	corner link	2
G019	310 20 0	adapter Ø 48.3 mm	0



Z005



stage h: 66,66 cm

Group	Art.No.	Description	Piece
P001	111 01 0	system platform 200 x 100 cm	4
base construction			
U070	211 16 1	alu load distributor leg stage h: 66,66 cm	9
U011	200 06 7	floor protector for LD- & BB-leg skid-proof blue square	9
stage rails, 3 sides			
G012	303 03 0	safety rail vertical bars h:110 cm w: 185 cm	2
G010	303 02 0	safety rail vertical bars h:110 cm w: 85 cm	3
G015	310 01 0	rail support bolt Ø 26 mm	9
G017	310 10 5	rail link stage 150 mm reinforced	2
G019	310 20 0	adapter Ø 48.3 mm	3
G020	310 21 0	corner link	2

stairway, three step for h: 66,66 cm, tier height 16,66

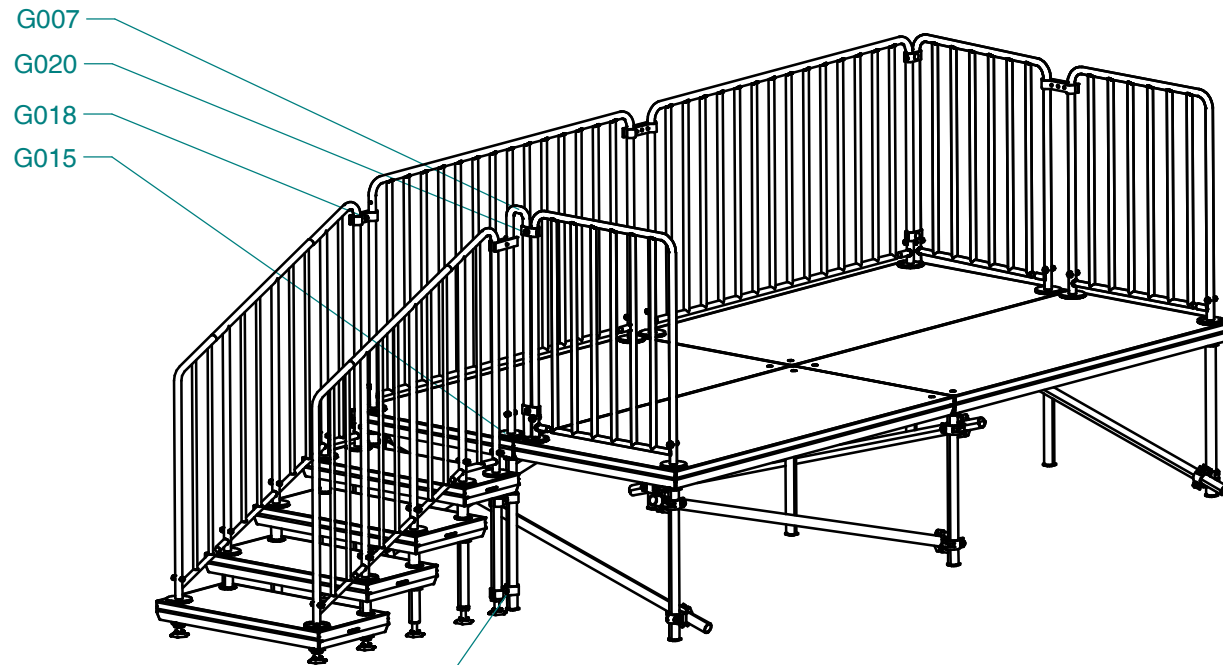
Group	Art.No.	Description	Piece
P009	111 06 0	system platform 100 x 50 cm	2
P013	111 16 0	system platform 100 x 39 cm	1
base construction			
U076	202 13 1	alu levelling leg +/- 2 cm stage h: 16,66 cm	4
U077	202 14 1	alu levelling leg +/- 3 cm stage h: 33,33 cm	2
U078	202 15 1	alu levelling leg +/- 3 cm stage h: 50,00 cm	2
U022	200 06 6	floor protector for L- & EX-leg skid-proof hexagonal	8
Z003	401 01 0	step support bolt Ø 39 mm	4
Z002	205 04 0	step leg for step height: 16.66 cm - theatre ascent	4
stairway rails, 2 sides			
G028	312 01 1	safety rail vert. bars h:110 cm stairway first part	2
G029	312 02 1	safety rail vert. bars h:110 cm stairway middle part	2
G031	312 09 1	safety rail vert. bars h:110 cm stairway final part top step A	2
G015	310 01 0	rail support bolt Ø 26 mm	8

connection of stairway and stage

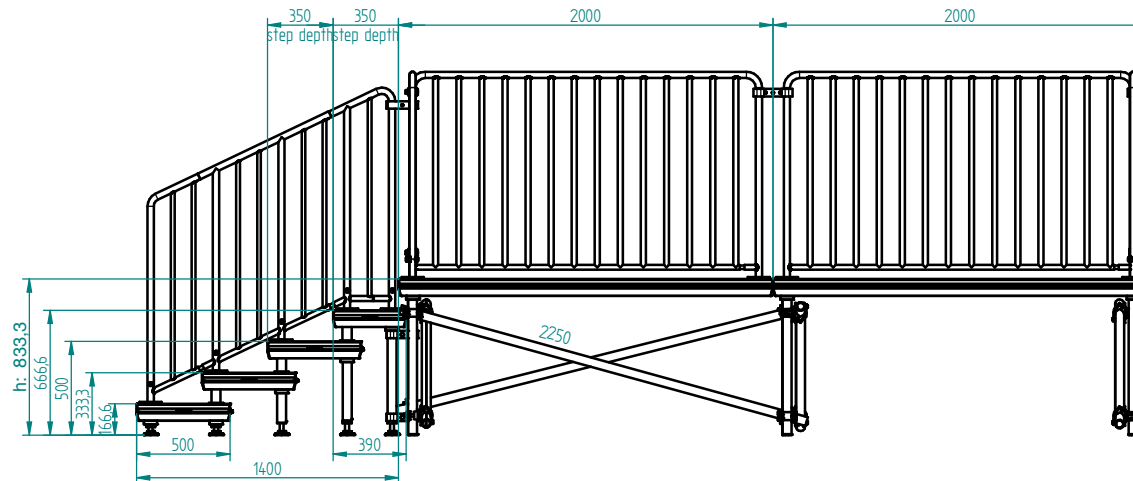
Group	Art.No.	Description	Piece
Z005	401 10 0	leg link 110 mm	2
G018	310 11 0	rail link gallery 110 mm	2
G007	303 00 4	safety rail vertical bars h:110 cm w: 10 cm	1
G015	310 01 0	rail support bolt Ø 26 mm	1
G020	310 21 0	corner link	2
G019	310 20 0	adapter Ø 48.3 mm	0



Description
stairway, three step for h: 66,66 cm, tier height 16,66



Z005



stage h: 83,33 cm

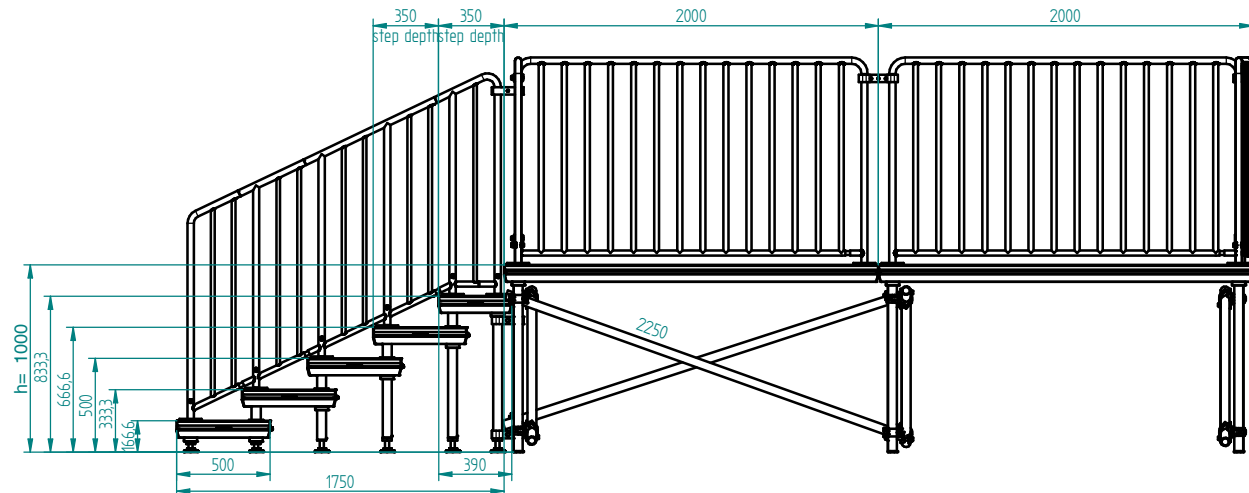
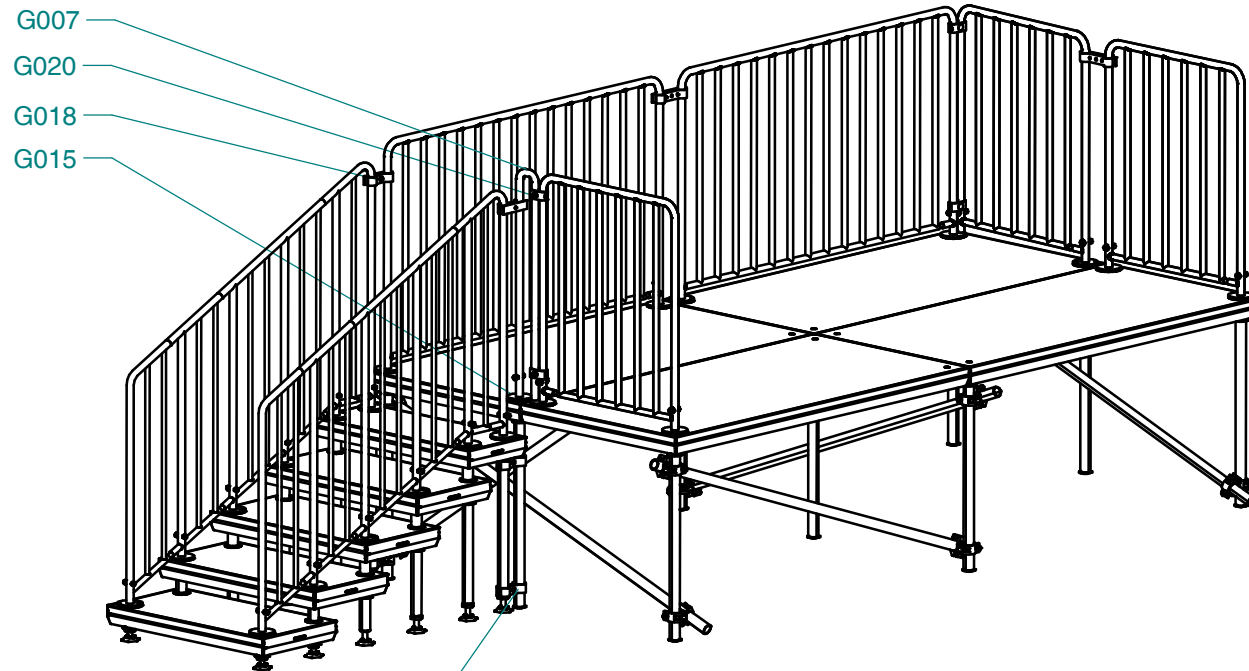
Group	Art.No.	Description	Piece
P001	111 01 0	system platform 200 x 100 cm	4
base construction			
U071	211 17 1	alu load distributor leg stage h: 83,33 cm	9
U011	200 06 7	floor protector for LD- & BB-leg skid-proof blue square	9
U058	200 31 3	alu diagonal brace bl: 200/185 cm, bh: 80-100cm, l: 2250 mm	5
U034	4.702.019	Layher swivel coupler Ø 48.3 mm	10
stage rails, 3 sides			
G012	303 03 0	safety rail vertical bars h:110 cm w: 185 cm	2
G010	303 02 0	safety rail vertical bars h:110 cm w: 85 cm	3
G015	310 01 0	rail support bolt Ø 26 mm	9
G017	310 10 5	rail link stage 150 mm reinforced	2
G019	310 20 0	adapter Ø 48.3 mm	3
G020	310 21 0	corner link	2

stairway, four step for h: 83,33 cm, tier height 16,66

Group	Art.No.	Description	Piece
P009	111 06 0	system platform 100 x 50 cm	3
P013	111 16 0	system platform 100 x 39 cm	1
base construction			
U076	202 13 1	alu levelling leg +/- 2 cm stage h: 16,66 cm	4
U077	202 14 1	alu levelling leg +/- 3 cm stage h: 33,33 cm	2
U078	202 15 1	alu levelling leg +/- 3 cm stage h: 50,00 cm	2
U079	202 16 1	alu levelling leg +/- 3 cm stage h: 66,66 cm	2
U022	200 06 6	floor protector for L- & EX-leg skid-proof hexagonal	10
Z003	401 01 0	step support bolt Ø 39 mm	6
Z002	205 04 0	step leg for step height: 16.66 cm - theatre ascent	6
stairway rails, 2 sides			
G028	312 01 1	safety rail vert. bars h:110 cm stairway first part	2
G030	312 03 1	safety rail vert. bars h:110 cm stairway double middle part	2
G031	312 09 1	safety rail vert.bars h:110 cm stairway final part top step A	2
G015	310 01 0	rail support bolt Ø 26 mm	10

connection of stairway and stage

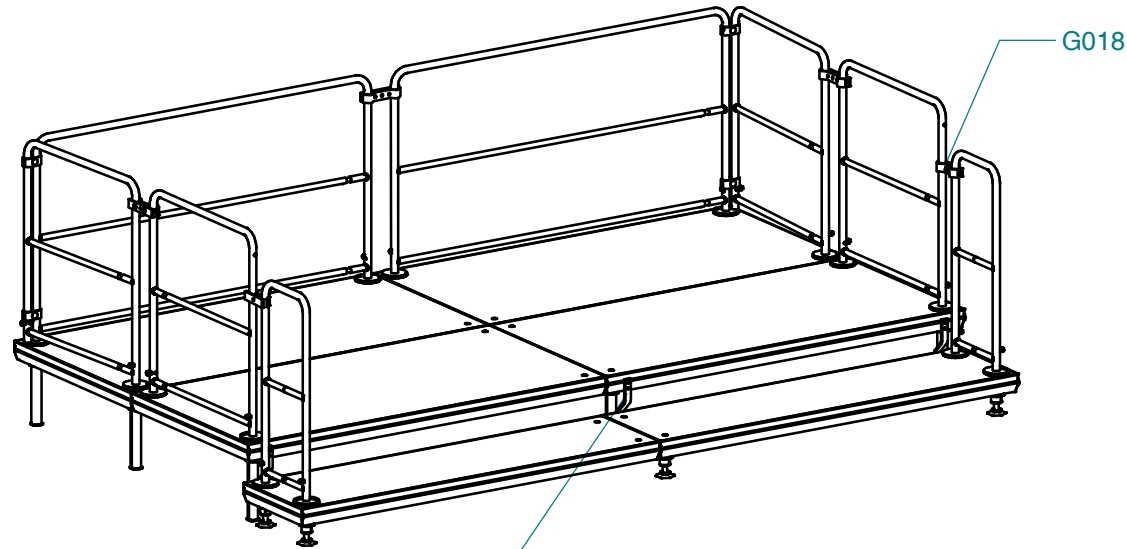
Group	Art.No.	Description	Piece
Z005	401 10 0	leg link 110 mm	4
G018	310 11 0	rail link gallery 110 mm	2
G007	303 00 4	safety rail vertical bars h:110 cm w: 10 cm	1
G015	310 01 0	rail support bolt Ø 26 mm	1
G020	310 21 0	corner link	2
G019	310 20 0	adapter Ø 48.3 mm	0



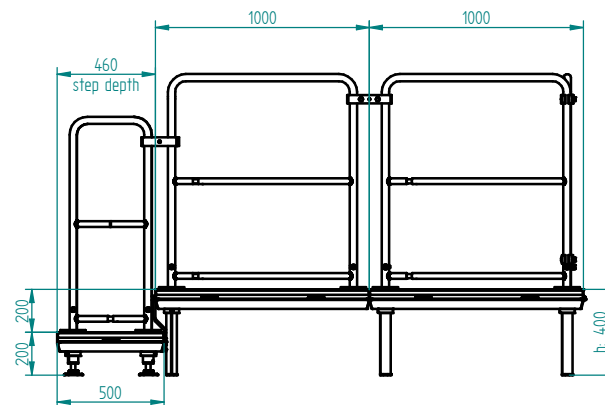
stage h: 100 cm			
Group	Art.No.	Description	Piece
P001	111 01 0	system platform 200 x 100 cm	4
base construction			
U072	211 05 1	alu load distributor leg stage h: 100 cm	9
U011	200 06 7	floor protector for LD- & BB-leg skid-proof blue square	9
U058	200 31 3	alu diagonal brace bl: 200/185 cm, bh: 80-100cm, l: 2250 mm	5
U034	4.702.019	Layher swivel coupler Ø 48.3 mm	10
stage rails, 3 sides			
G012	303 03 0	safety rail vertical bars h:110 cm w: 185 cm	2
G010	303 02 0	safety rail vertical bars h:110 cm w: 85 cm	3
G015	310 01 0	rail support bolt Ø 26 mm	9
G017	310 10 5	rail link stage 150 mm reinforced	2
G019	310 20 0	adapter Ø 48.3 mm	3
G020	310 21 0	corner link	2

stairway, five step for h: 100 cm, tier height 16,66			
Group	Art.No.	Description	Piece
P009	111 06 0	system platform 100 x 50 cm	4
P013	111 16 0	system platform 100 x 39 cm	1
base construction			
U076	202 13 1	alu levelling leg +/- 2 cm stage h: 16,66 cm	4
U077	202 14 1	alu levelling leg +/- 3 cm stage h: 33,33 cm	2
U078	202 15 1	alu levelling leg +/- 3 cm stage h: 50,00 cm	2
U079	202 16 1	alu levelling leg +/- 3 cm stage h: 66,66 cm	2
U080	202 17 1	alu levelling leg +/- 3 cm stage h: 83,33 cm	2
U022	200 06 6	floor protector for L-& EX-leg skid-proof hexagonal	12
Z003	401 01 0	step support bolt Ø 39 mm	8
Z002	205 04 0	step leg for step height: 16.66 cm - theatre ascent	8
stairway rails, 2 sides			
G028	312 01 1	safety rail vert. bars h:110 cm stairway first part	2
G029	312 02 1	safety rail vert. bars h:110 cm stairway middle part	2
G030	312 03 1	safety rail vert. bars h:110 cm stairway double middle part	2
G031	312 09 1	safety rail vert. bars h:110 cm stairway final part top step A	2
G015	310 01 0	rail support bolt Ø 26 mm	12

connection of stairway and stage			
Group	Art.No.	Description	Piece
Z005	401 10 0	leg link 110 mm	4
G018	310 11 0	rail link gallery 110 mm	2
G007	303 00 4	safety rail vertical bars h:110 cm w: 10 cm	1
G015	310 01 0	rail support bolt Ø 26 mm	1
G020	310 21 0	corner link	2
G019	310 20 0	adapter Ø 48.3 mm	0



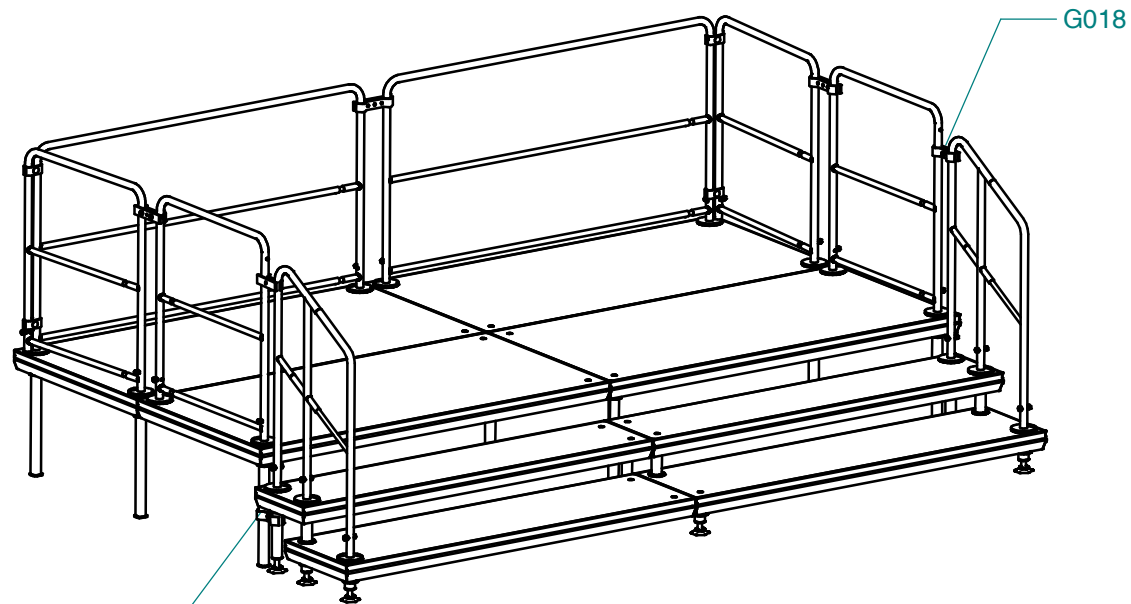
Z007



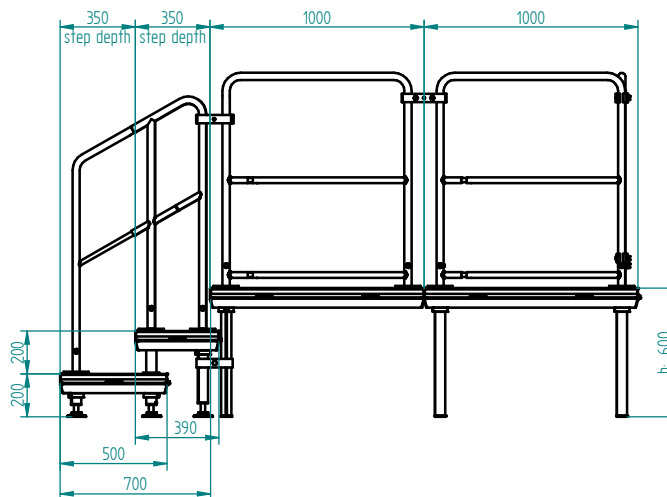
stage h: 40 cm			
Group	Art.No.	Description	Piece
P001	111 01 0	system platform 200 x 100 cm	4
base construction			
U002	201 02 1	alu load distributor leg stage h: 40 cm	9
U011	200 06 7	floor protector for LD- & BB-leg skid-proof blue square	9
stage rails, 3 sides			
G006	301 03 0	safety rail h: 100 cm w: 185 cm	2
G004	301 02 0	safety rail h: 100 cm w: 85 cm	4
G015	310 01 0	rail support bolt Ø 26 mm	10
G017	310 10 5	rail link stage 150 mm reinforced	3
G019	310 20 0	adapter Ø 48.3 mm	3
G020	310 21 0	corner link	4

show stairway, one step for h: 40 cm, tier height 20			
Group	Art.No.	Description	Piece
P007	111 02 0	system platform 200 x 50 cm	2
base construction			
U012	202 01 1	alu levelling leg +/- 3 cm stage h: 20 cm	6
U022	200 06 6	floor protector for L- & EX-leg skid-proof hexagonal	6
stairway rails, 2 sides			
G003	301 01 0	safety rail h: 100 cm w: 35 cm	2
G015	310 01 0	rail support bolt Ø 26 mm	4

connection of stairway and stage			
Group	Art.No.	Description	Piece
Z007	402 01 0	link N-F 110 mm	3
G018	310 11 0	rail link gallery 110 mm	2



Z005



stage h: 60 cm

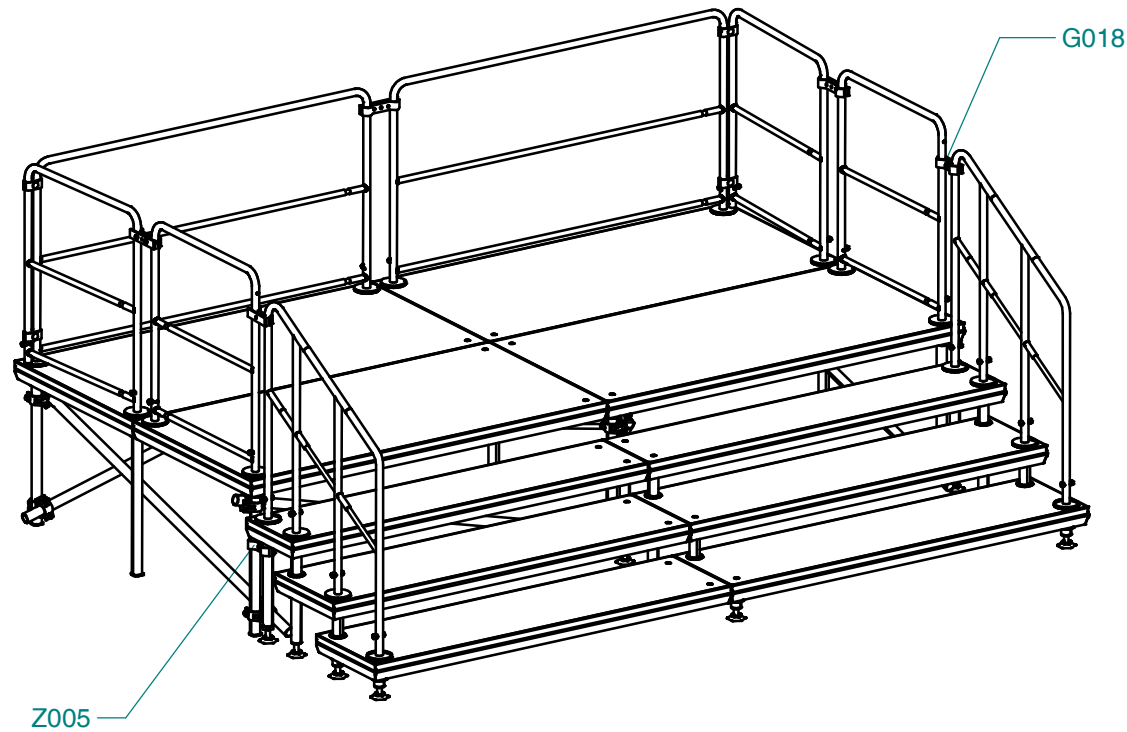
Group	Art.No.	Description	Piece
P001	111 01 0	system platform 200 x 100 cm	4
base construction			
U003	201 03 1	alu load distributor leg stage h: 60 cm	9
U011	200 06 7	floor protector for LD- & BB-leg skid-proof blue square	9
stage rails, 3 sides			
G006	301 03 0	safety rail h: 100 cm w: 185 cm	2
G004	301 02 0	safety rail h: 100 cm w: 85 cm	4
G015	310 01 0	rail support bolt Ø 26 mm	10
G017	310 10 5	rail link stage 150 mm reinforced	3
G019	310 20 0	adapter Ø 48.3 mm	3
G020	310 21 0	corner link	4

show stairway, two step for h: 60 cm, tier height 20

Group	Art.No.	Description	Piece
P007	111 02 0	system platform 200 x 50 cm	2
P011	111 12 0	system platform 200 x 39 cm	2
base construction			
U012	202 01 1	alu levelling leg +/- 3 cm stage h: 20 cm	6
U013	202 02 1	alu levelling leg +/- 3 cm stage h: 40 cm	3
U022	200 06 6	floor protector for L- & EX-leg skid-proof hexagonal	9
Z003	401 01 0	step support bolt Ø 39 mm	3
Z001	205 01 0	step leg for step height: 20 cm	3
stairway rails, 2 sides			
G022	304 01 0	safety rail h: 100 cm stairway first part	2
G026	304 09 0	safety rail h: 100 cm stairway final part top step P	2
G015	310 01 0	rail support bolt Ø 26 mm	6

connection of stairway and stage

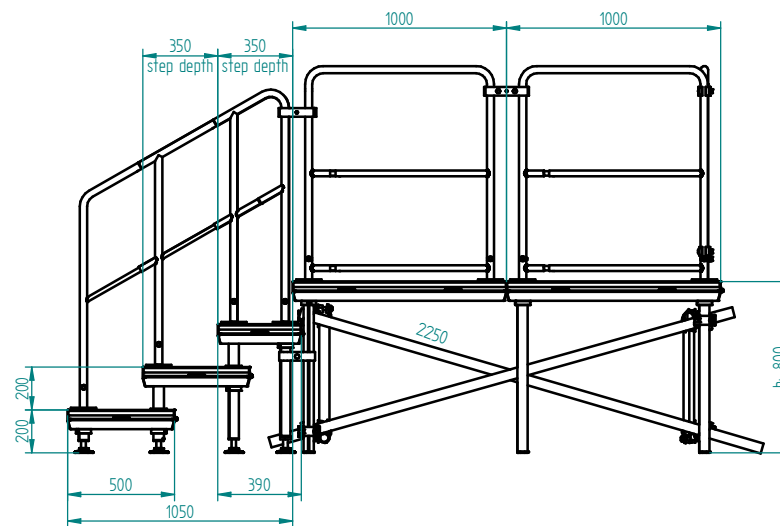
Group	Art.No.	Description	Piece
Z005	401 10 0	leg link 110 mm	3
G018	310 11 0	rail link gallery 110 mm	2

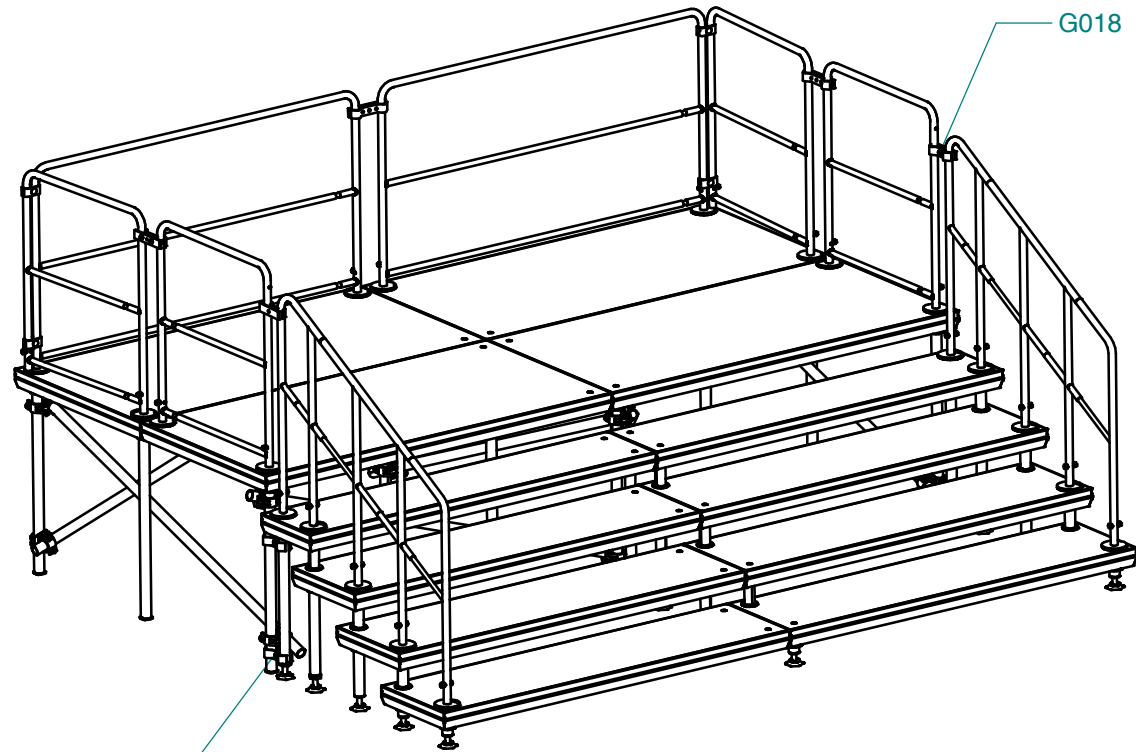


stage h: 80 cm			
Group	Art.No.	Description	Piece
P001	111 01 0	system platform 200 x 100 cm	4
base construction			
U004	201 04 1	alu load distributor leg stage h: 80 cm	9
U011	200 06 7	floor protector for LD- & BB-leg skid-proof blue square	9
U058	200 31 3	Alu-Diagonale FL: 200/185 cm FH: 80-100 cm L: 2250 mm	5
U034	4.702.019	Layher Drehkupplung Ø48,3 mm	10
stage rails, 3 sides			
G006	301 03 0	safety rail h: 100 cm w: 185 cm	2
G004	301 02 0	safety rail h: 100 cm w: 85 cm	4
G015	310 01 0	rail support bolt Ø 26 mm	10
G017	310 10 5	rail link stage 150 mm reinforced	3
G019	310 20 0	adapter Ø 48.3 mm	3
G020	310 21 0	corner link	4

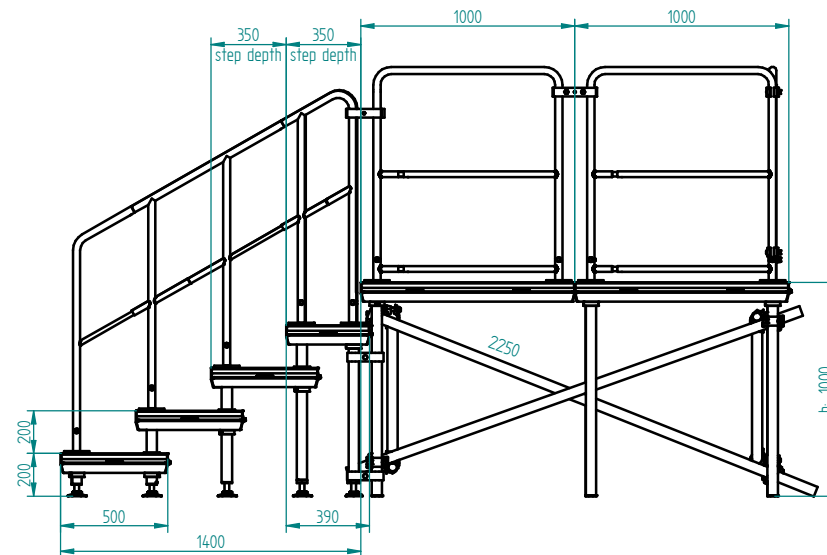
show stairway, three step for h: 80 cm, tier height 20			
Group	Art.No.	Description	Piece
P007	111 02 0	system platform 200 x 50 cm	4
P011	111 12 0	system platform 200 x 39 cm	2
base construction			
U012	202 01 1	alu levelling leg +/- 3 cm stage h: 20 cm	6
U013	202 02 1	alu levelling leg +/- 3 cm stage h: 40 cm	3
U014	202 03 1	alu levelling leg +/- 3 cm stage h: 60 cm	3
U022	200 06 6	floor protector for L- & EX-leg skid-proof hexagonal	12
Z003	401 01 0	step support bolt Ø 39 mm	6
Z001	205 01 0	step leg for step height: 20 cm	6
stairway rails, 2 sides			
G022	304 01 0	safety rail h: 100 cm stairway first part	2
G023	304 02 0	safety rail h: 100 cm stairway middle part	2
G026	304 09 0	safety rail h: 100 cm stairway final part top step A	2
G015	310 01 0	rail support bolt Ø 26 mm	8

connection of stairway and stage			
Group	Art.No.	Description	Piece
Z005	401 10 0	leg link 110 mm	3
G018	310 11 0	rail link gallery 110 mm	2





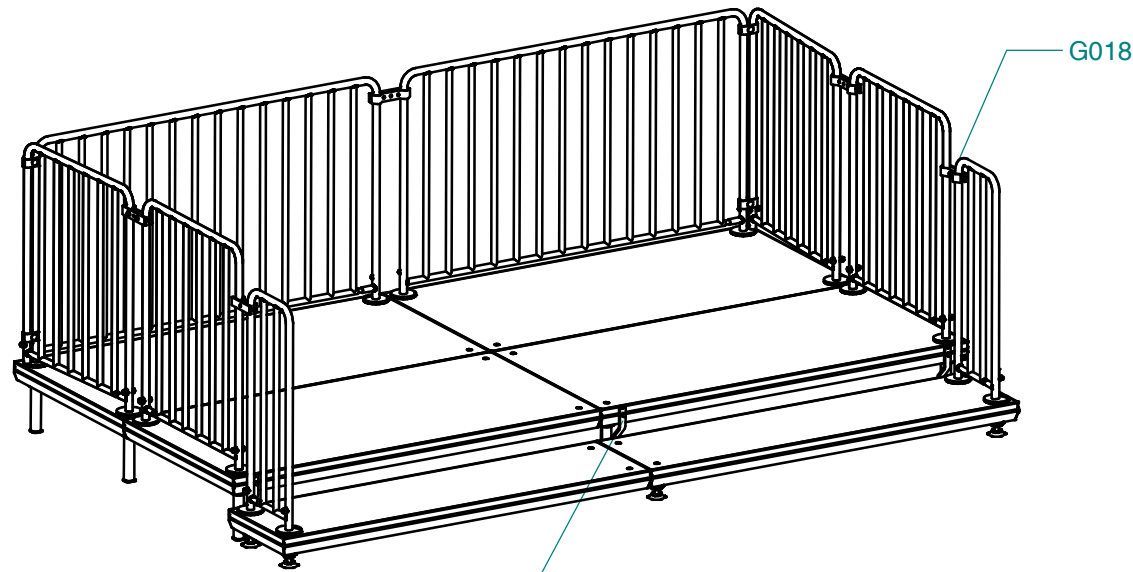
Z005



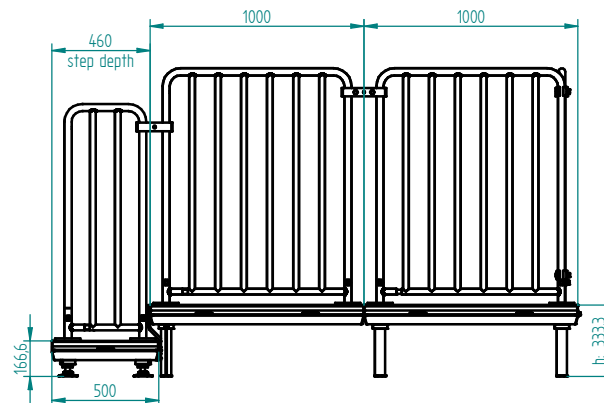
stage h: 100 cm			
Group	Art.No.	Description	Piece
P001	111 01 0	system platform 200 x 100 cm	4
base construction			
U005	211 05 1	alu load distributor leg stage h: 100 cm	9
U011	200 06 7	floor protector for LD- & BB-leg skid-proof blue square	9
U058	200 31 3	Alu-Diagonale FL: 200/185 cm FH: 80-100 cm L: 2250 mm	5
U034	4.702.019	Layher Drehkupplung Ø48,3 mm	10
stage rails, 3 sides			
G006	301 03 0	safety rail h: 100 cm w: 185 cm	2
G004	301 02 0	safety rail h: 100 cm w: 85 cm	4
G015	310 01 0	rail support bolt Ø 26 mm	10
G017	310 10 5	rail link stage 150 mm reinforced	3
G019	310 20 0	adapter Ø 48.3 mm	3
G020	310 21 0	corner link	4

show stairway, four step for h: 100 cm, tier height 20			
Group	Art.No.	Description	Piece
P007	111 02 0	system platform 200 x 50 cm	6
P011	111 12 0	system platform 200 x 39 cm	2
base construction			
U012	202 01 1	alu levelling leg +/- 3 cm stage h: 20 cm	6
U013	202 02 1	alu levelling leg +/- 3 cm stage h: 40 cm	3
U014	202 03 1	alu levelling leg +/- 3 cm stage h: 60 cm	3
U015	202 04 1	alu levelling leg +/- 3 cm stage h: 80 cm	3
U022	200 06 6	floor protector for L- & EX-leg skid-proof hexagonal	15
Z003	401 01 0	step support bolt Ø 39 mm	9
Z001	205 01 0	step leg for step height: 20 cm	9
stairway rails, 2 sides			
G022	304 01 0	safety rail h: 100 cm stairway first part	2
G024	304 03 0	safety rail h: 100 cm stairway double middle part	2
G026	304 09 0	safety rail h: 100 cm stairway final part top step A	2
G015	310 01 0	rail support bolt Ø 26 mm	10

connection of stairway and stage			
Group	Art.No.	Description	Piece
Z005	401 10 0	leg link 110 mm	6
G018	310 11 0	rail link gallery 110 mm	2



Z007



stage h: 33,33 cm

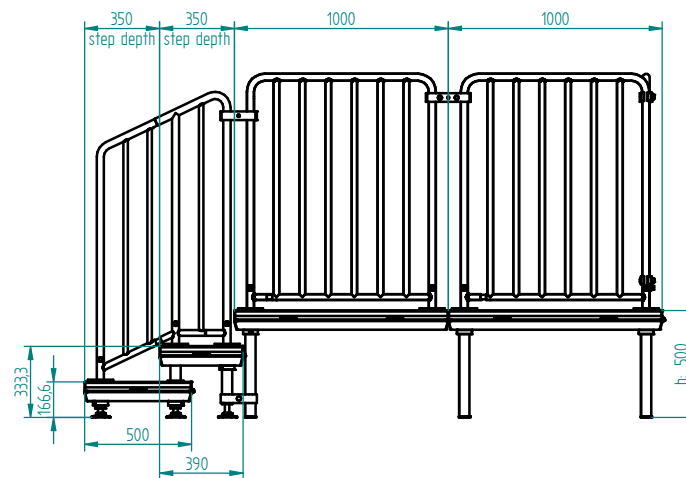
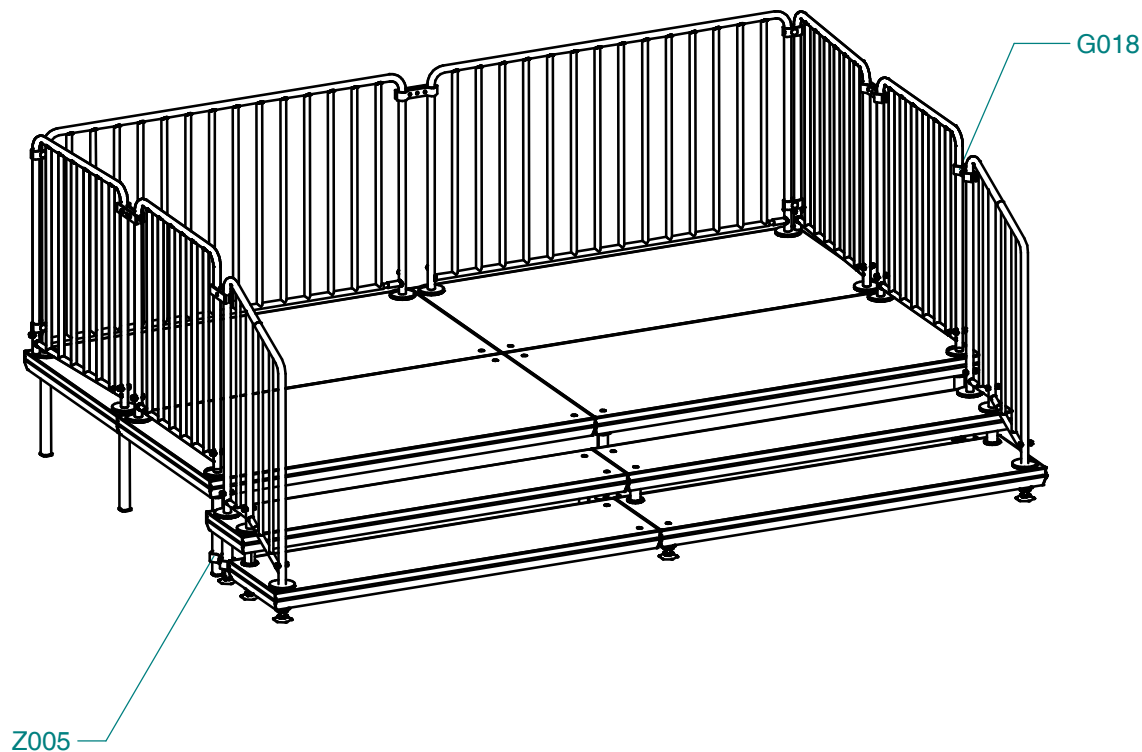
Group	Art.No.	Description	Piece
P001	111 01 0	system platform 200 x 100 cm	4
base construction			
U068	211 14 1	alu load distributor leg stage h: 33,33 cm	9
U011	200 06 7	floor protector for LD- & BB-leg skid-proof blue square	9
stage rails, 3 sides			
G012	303 03 0	safety rail vertical bars h:110 cm w: 185 cm	2
G010	303 02 0	safety rail vertical bars h:110 cm w: 85 cm	4
G015	310 01 0	rail support bolt Ø26 mm	10
G017	310 10 5	rail link stage 150 mm reinforced	3
G019	310 20 0	adapter Ø48.3 mm	3
G020	310 21 0	corner link	4

show stairway, one step for h: 33,33 cm, tier height 16,66

Group	Art.No.	Description	Piece
P007	111 02 0	system platform 200 x 50 cm	2
base construction			
U076	202 13 1	alu levelling leg +/- 2 cm stage h: 16,66 cm	6
U022	200 06 6	floor protector for L-& EX-leg skid-proof hexagonal	6
stairway rails, 2 sides			
G009	303 01 0	safety rail vertical bars h:110 cm w: 35 cm	2
G015	310 01 0	rail support bolt Ø26 mm	4

connection of stairway and stage

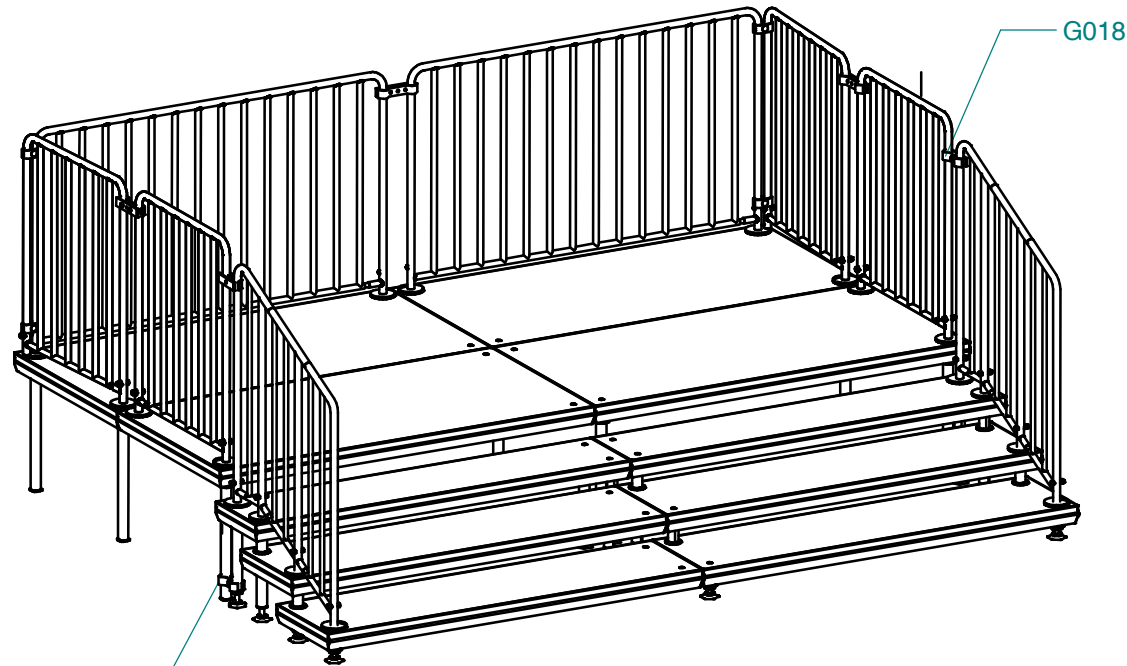
Group	Art.No.	Description	Piece
Z007	402 01 0	link N-F 110 mm	3
G018	310 11 0	rail link gallery 110 mm	2



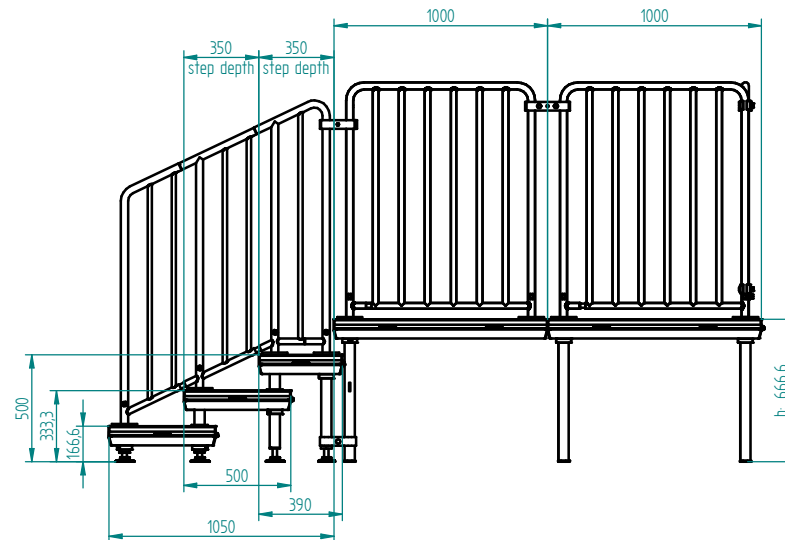
stage h: 50 cm			
Group	Art.No.	Description	Piece
P001	111 01 0	system platform 200 x 100 cm	4
base construction			
U069	211 15 1	alu load distributor leg stage h: 50,00 cm	9
U011	200 06 7	floor protector for LD- & BB-leg skid-proof blue square	9
stage rails, 3 sides			
G012	303 03 0	safety rail vertical bars h:110 cm w: 185 cm	2
G010	303 02 0	safety rail vertical bars h:110 cm w: 85 cm	4
G015	310 01 0	rail support bolt Ø 26 mm	10
G017	310 10 5	rail link stage 150 mm reinforced	3
G019	310 20 0	adapter Ø 48.3 mm	3
G020	310 21 0	corner link	4

show stairway, two step for h: 50 cm, tier height 16,66			
Group	Art.No.	Description	Piece
P007	111 02 0	system platform 200 x 50 cm	2
P011	111 12 0	system platform 200 x 39 cm	2
base construction			
U076	202 13 1	alu levelling leg +/- 2 cm stage h: 16,66 cm	6
U077	202 14 1	alu levelling leg +/- 3 cm stage h: 33,33 cm	3
U022	200 06 6	floor protector for L- & EX-leg skid-proof hexagonal	9
Z003	401 01 0	step support bolt Ø 39 mm	3
Z002	205 04 0	step leg for step height: 16.66 cm - theatre ascent	3
stairway rails, 2 sides			
G028	312 01 1	safety rail vert. bars h:110 cm stairway first part	2
G031	312 09 1	safety rail vert. bars h:110 cm stairway final part top step A	2
G015	310 01 0	rail support bolt Ø 26 mm	6

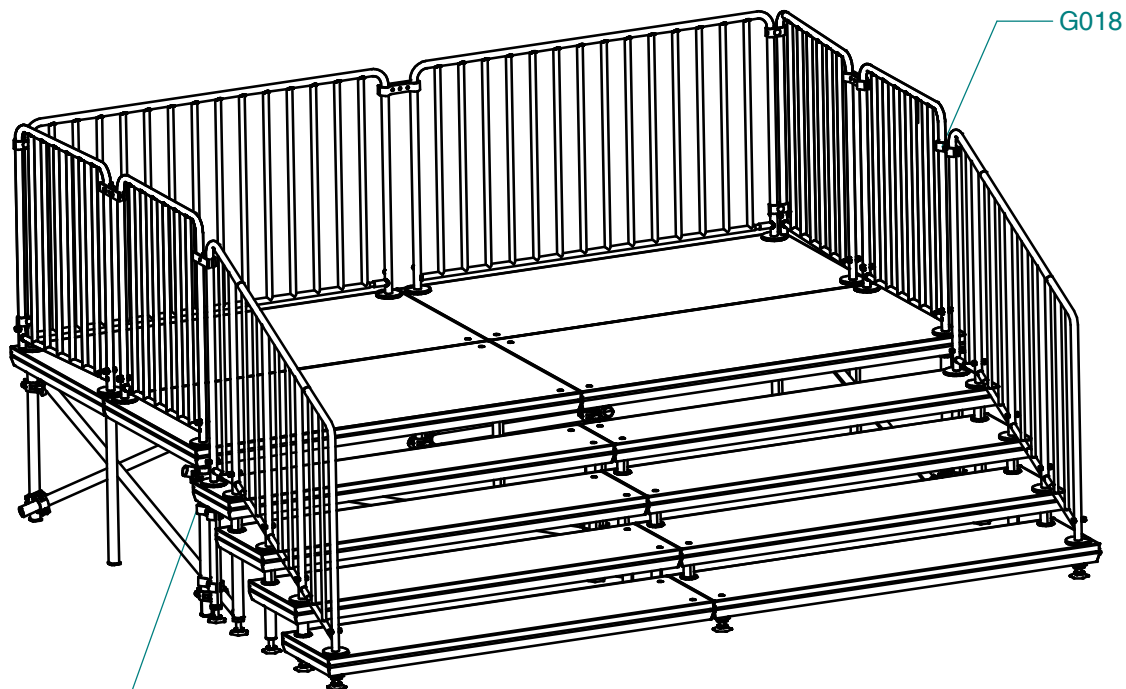
connection of stairway and stage			
Group	Art.No.	Description	Piece
Z005	401 10 0	leg link 110 mm	3
G018	310 11 0	rail link gallery 110 mm	2



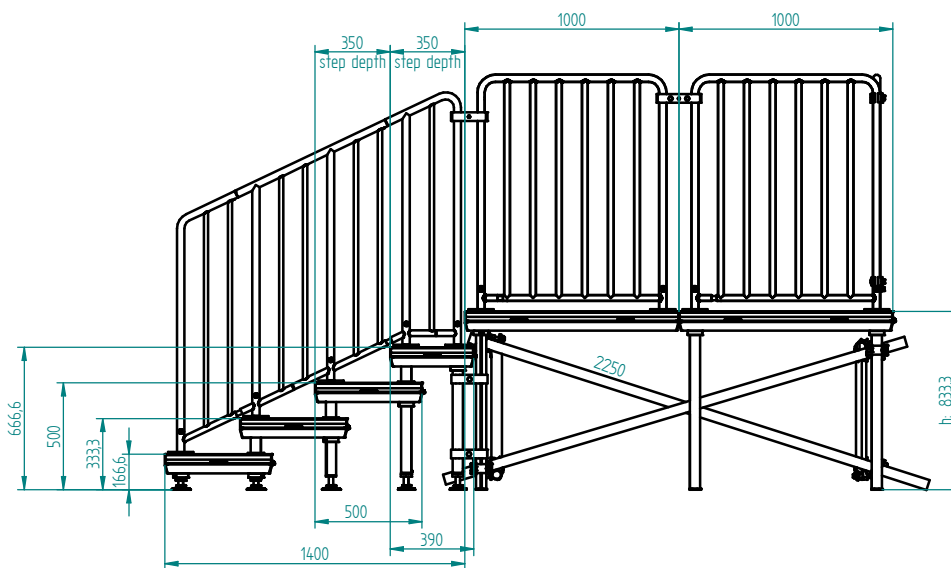
Z005



stage h: 66,66 cm			
Group	Art.No.	Description	Piece
P001	111 01 0	system platform 200 x 100 cm	4
base construction			
U070	211 16 1	alu load distributor leg stage h: 66,66 cm	9
U011	200 06 7	Bodenschoner für LV-Fuß & KG-Fuß antritts 4-kant	9
stage rails, 3 sides			
G012	303 03 0	safety rail vertical bars h:110 cm w: 185 cm	2
G010	303 02 0	safety rail vertical bars h:110 cm w: 85 cm	4
G015	310 01 0	rail support bolt Ø 26 mm	10
G017	310 10 5	rail link stage 150 mm reinforced	3
G019	310 20 0	adapter Ø 48.3 mm	3
G020	310 21 0	corner link	4
show stairway, three step for h: 66,66 cm, tier height 16,66			
Group	Art.No.	Description	Piece
P007	111 02 0	system platform 200 x 50 cm	4
P011	111 12 0	system platform 200 x 39 cm	2
base construction			
U076	202 13 1	alu levelling leg +/- 2 cm stage h: 16,66 cm	6
U077	202 14 1	alu levelling leg +/- 3 cm stage h: 33,33 cm	3
U078	202 15 1	alu levelling leg +/- 3 cm stage h: 50,00 cm	3
U022	200 06 6	floor protector for L- & EX-leg skid-proof hexagonal	12
Z003	401 01 0	step support bolt Ø 39 mm	6
Z002	205 04 0	step leg for step height: 16.66 cm - theatre ascent	6
stairway rails, 2 sides			
G028	312 01 1	safety rail vert. bars h:110 cm stairway first part	2
G029	312 02 1	safety rail vert. bars h:110 cm stairway middle part	2
G031	312 09 1	safety rail vert.bars h:110 cm stairway final part top step A	2
G015	310 01 0	rail support bolt Ø 26 mm	8
connection of stairway and stage			
Group	Art.No.	Description	Piece
Z005	401 10 0	leg link 110 mm	3
G018	310 11 0	rail link gallery 110 mm	2



Z005



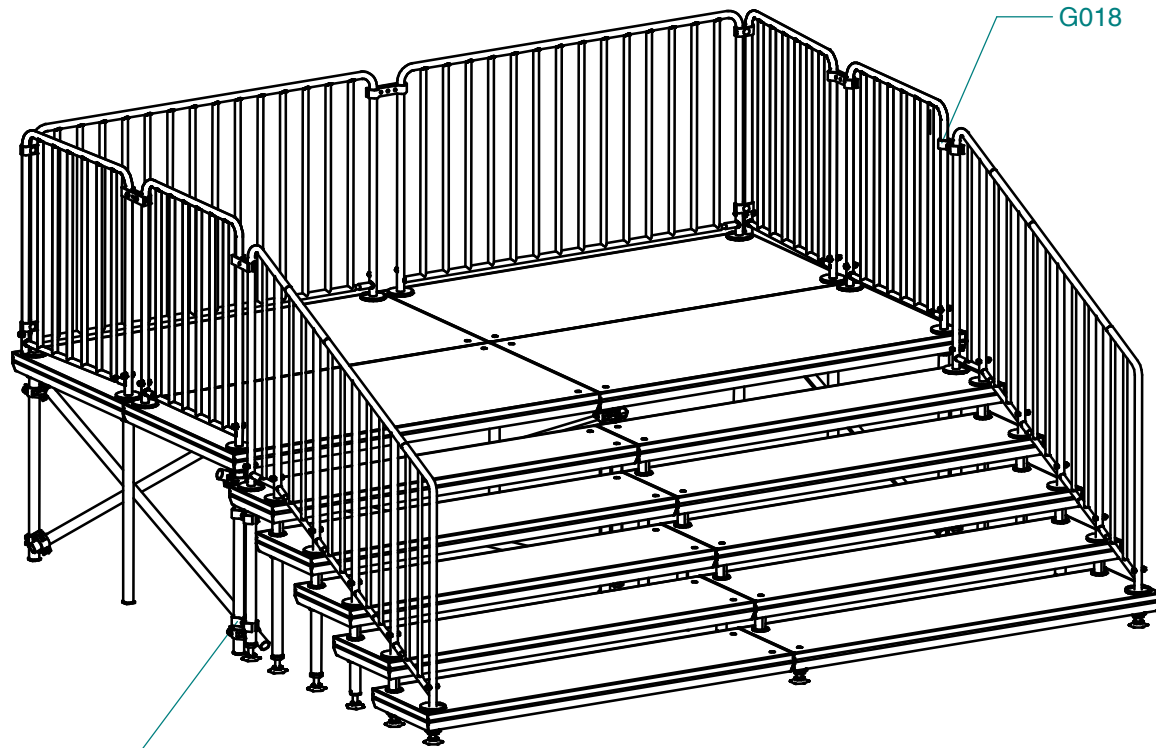
stage h: 83,33 cm			
Group	Art.No.	Description	Piece
P001	111 01 0	system platform 200 x 100 cm	4
base construction			
U071	211 17 1	alu load distributor leg stage h: 83,33 cm	9
U011	200 06 7	Bodenschoner für LV-Fuß & KG-Fuß antirutsch 4-kant	9
U058	200 31 3	alu diagonal brace bl: 200/185 cm, bh: 80-100cm, l: 2250 mm	5
U034	4.702.019	Layher swivel coupler Ø 48.3 mm	10
stage rails, 3 sides			
G012	303 03 0	safety rail vertical bars h:110 cm w: 185 cm	2
G010	303 02 0	safety rail vertical bars h:110 cm w: 85 cm	4
G015	310 01 0	rail support bolt Ø 26 mm	10
G017	310 10 5	rail link stage 150 mm reinforced	3
G019	310 20 0	adapter Ø 48.3 mm	3
G020	310 21 0	corner link	4

show stairway, four step for h: 83,33 cm, tier height 16,66			
Group	Art.No.	Description	Piece
P007	111 02 0	system platform 200 x 50 cm	6
P011	111 12 0	system platform 200 x 39 cm	2
Unterkonstruktion			
U076	202 13 1	alu levelling leg +/- 2 cm stage h: 16,66 cm	6
U077	202 14 1	alu levelling leg +/- 3 cm stage h: 33,33 cm	3
U078	202 15 1	alu levelling leg +/- 3 cm stage h: 50,00 cm	3
U079	202 16 1	alu levelling leg +/- 3 cm stage h: 66,66 cm	3
U022	200 06 6	floor protector for L- & EX-leg skid-proof hexagonal	15
Z003	401 01 0	step support bolt Ø 39 mm	9
Z002	205 04 0	step leg for step height: 16.66 cm - theatre ascent	9
stairway rails, 2 sides			
G028	312 01 1	safety rail vert. bars h:110 cm stairway first part	2
G030	312 03 1	safety rail vert. bars h:110 cm stairway double middle part	2
G031	312 09 1	safety rail vert.bars h:110 cm stairway final part top step A	2
G015	310 01 0	rail support bolt Ø 26 mm	10

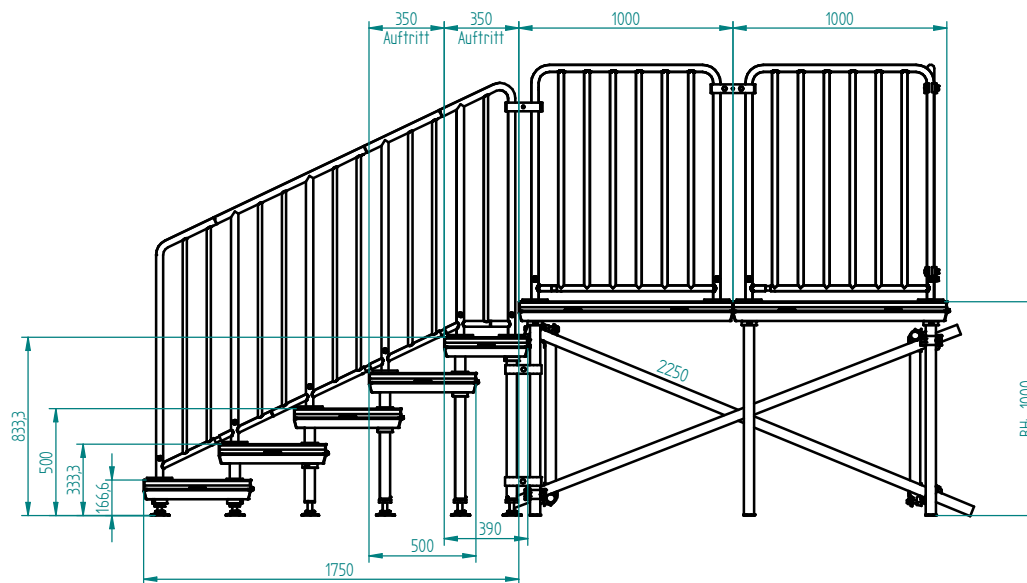
connection of stairway and stage			
Group	Art.No.	Description	Piece
Z005	401 10 0	leg link 110 mm	6
G018	310 11 0	rail link gallery 110 mm	2



Description:
show stairway, four step for h: 83,33 cm, tier height 16,66



Z005



stage h: 100 cm

Group	Art.No.	Description	Piece
P001	111 01 0	system platform 200 x 100 cm	4
base construction			
U005	211 05 1	alu load distributor leg stage h: 100 cm	9
U011	200 06 7	floor protector for LD- & BB-leg skid-proof blue square	9
U058	200 31 3	alu diagonal brace bl: 200/185 cm, bh: 80-100cm, l: 2250 mm	5
U034	4.702.019	Layher swivel coupler Ø 48.3 mm	10
stage rails, 3 sides			
G012	303 03 0	safety rail vertical bars h:110 cm w: 185 cm	2
G010	303 02 0	safety rail vertical bars h:110 cm w: 85 cm	4
G015	310 01 0	rail support bolt Ø 26 mm	10
G017	310 10 5	rail link stage 150 mm reinforced	3
G019	310 20 0	adapter Ø 48.3 mm	3
G020	310 21 0	corner link	4

show stairway, five step for h: 100 cm, tier height 16,66

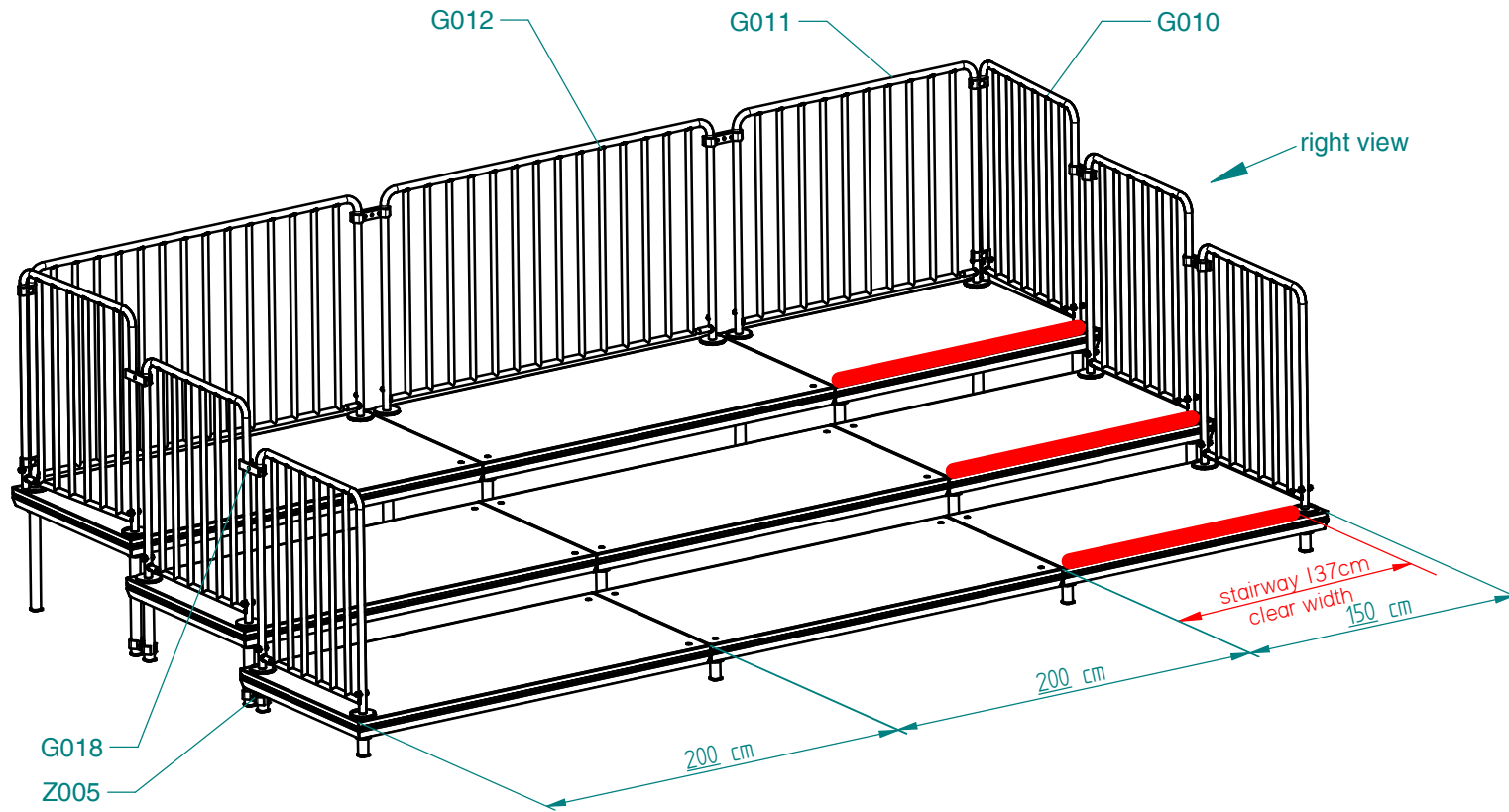
Group	Art.No.	Description	Piece
P007	111 02 0	system platform 200 x 50 cm	8
P011	111 12 0	system platform 200 x 39 cm	2
base construction			
U076	202 13 1	alu levelling leg +/- 2 cm stage h: 16,66 cm	6
U077	202 14 1	alu levelling leg +/- 3 cm stage h: 33,33 cm	3
U078	202 15 1	alu levelling leg +/- 3 cm stage h: 50,00 cm	3
U079	202 16 1	alu levelling leg +/- 3 cm stage h: 66,66 cm	3
U080	202 17 1	alu levelling leg +/- 3 cm stage h: 83,33 cm	3
U022	200 06 6	floor protector for L-& EX-leg skid-proof hexagonal	18
Z003	401 01 0	step support bolt Ø 39 mm	12
Z001	205 01 0	step leg for step height: 16.66 cm - theatre ascent	12
stairway rails, 2 sides			
G028	312 01 1	safety rail vert. bars h:110 cm stairway first part	2
G029	312 02 1	safety rail vert. bars h:110 cm stairway middle part	2
G030	312 03 1	safety rail vert. bars h:110 cm stairway double middle part	2
G031	312 09 1	safety rail vert. bars h:110 cm stairway final part top step A	2
G015	310 01 0	rail support bolt Ø 26 mm	12

connection of stairway and stage

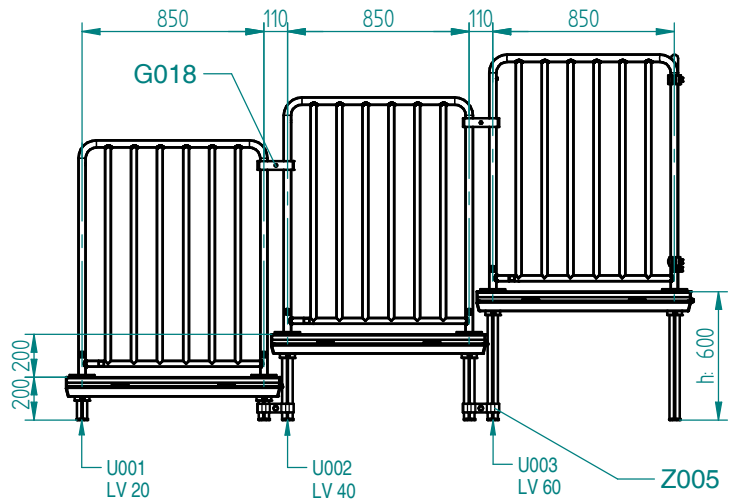
Group	Art.No.	Description	Piece
Z005	401 10 0	leg link 110 mm	6
G018	310 11 0	rail link gallery 110 mm	2



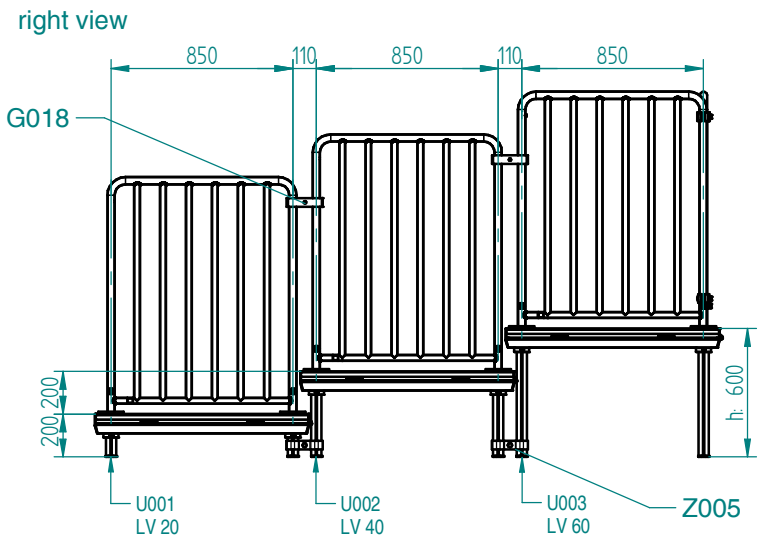
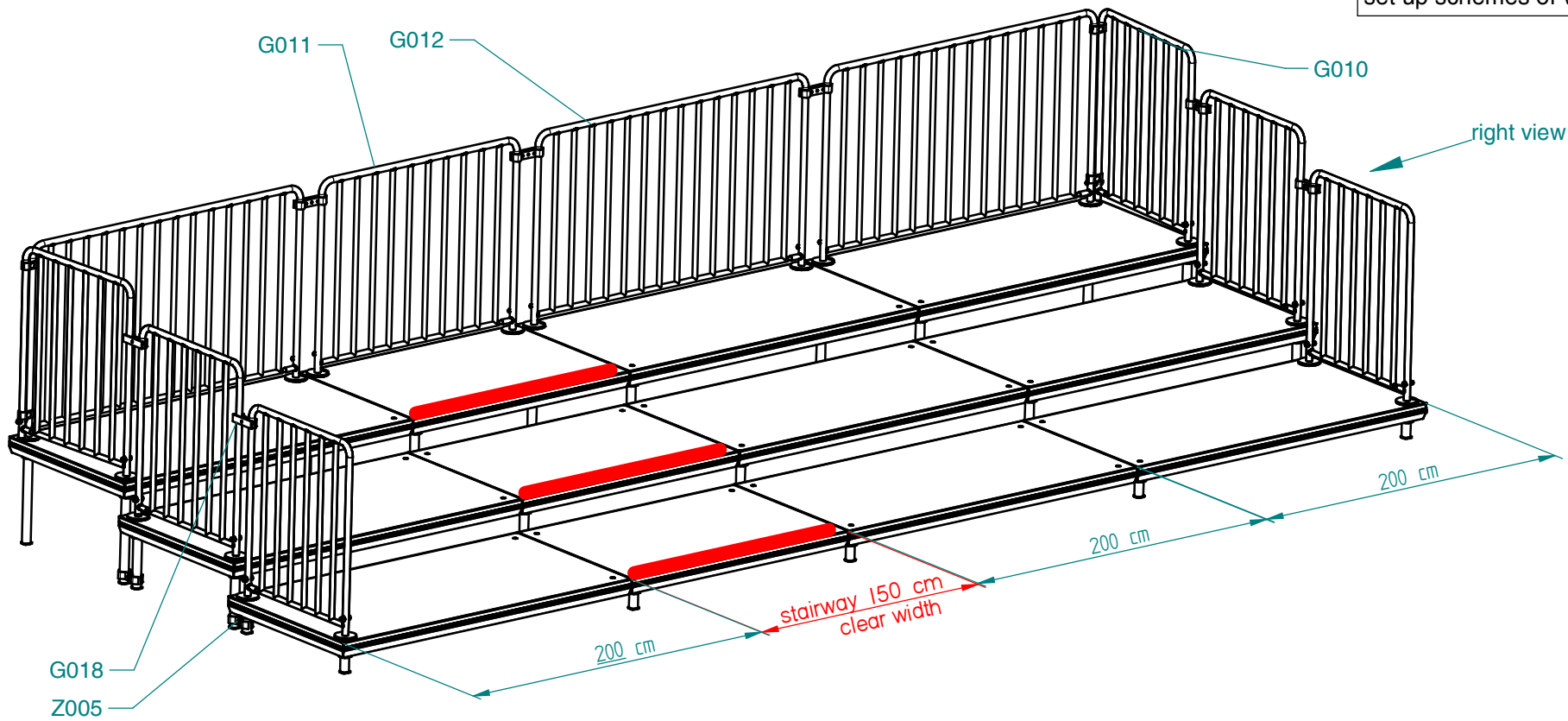
Description:
show stairway, five step for h: 100 cm, tier height 16,66



right view

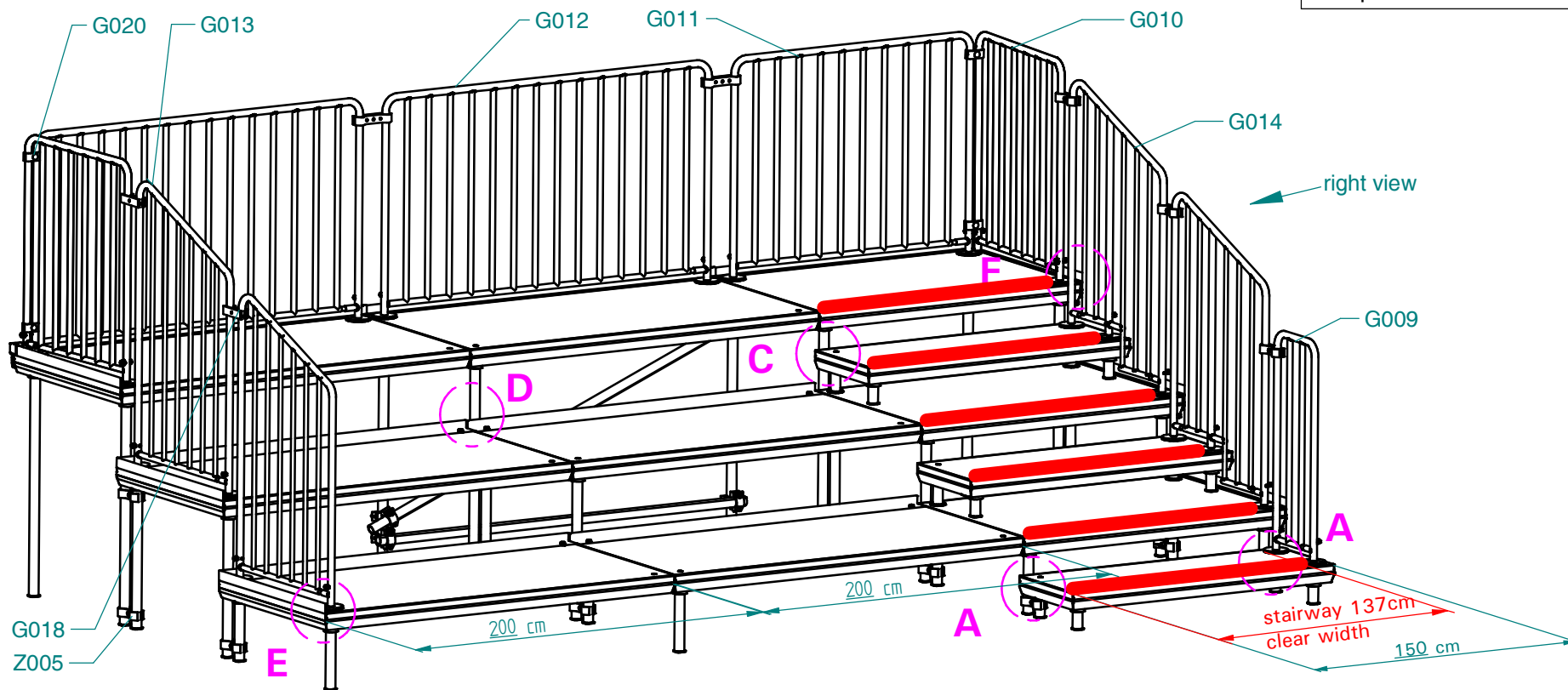


seat gallery 3 step for h: 60 cm, tier height 20, stairway at the side			
Group	Art.No.	Description	Piece
P001	111 01 0	system platform 200 x 100 cm	6
P002	111 03 0	system platform 150 x 100 cm stairway	3
base construction			
U003	201 03 1	alu load distributor leg stage h: 60 cm	8
U002	201 02 1	alu load distributor leg stage h: 40 cm	8
U001	201 01 1	alu load distributor leg stage h: 20 cm	8
U011	200 06 7	floor protector for LD- & BB-leg skid-proof blue square (inkl.)	24
Z005	401 10 0	leg link 110 mm	8
gallery rails, 3 sides			
G012	303 03 0	safety rail vertical bars h:110 cm w: 185 cm	2
G011	303 04 0	safety rail vertical bars h:110 cm w: 135 cm	1
G010	303 02 0	safety rail vertical bars h:110 cm w: 85 cm	6
G015	310 01 0	rail support bolt Ø 26 mm	16
G017	310 10 5	rail link stage 150 mm reinforced	2
G018	310 11 0	rail link gallery 110 mm	4
G019	310 20 0	adapter Ø 48.3 mm	2
G020	310 21 0	corner link	4



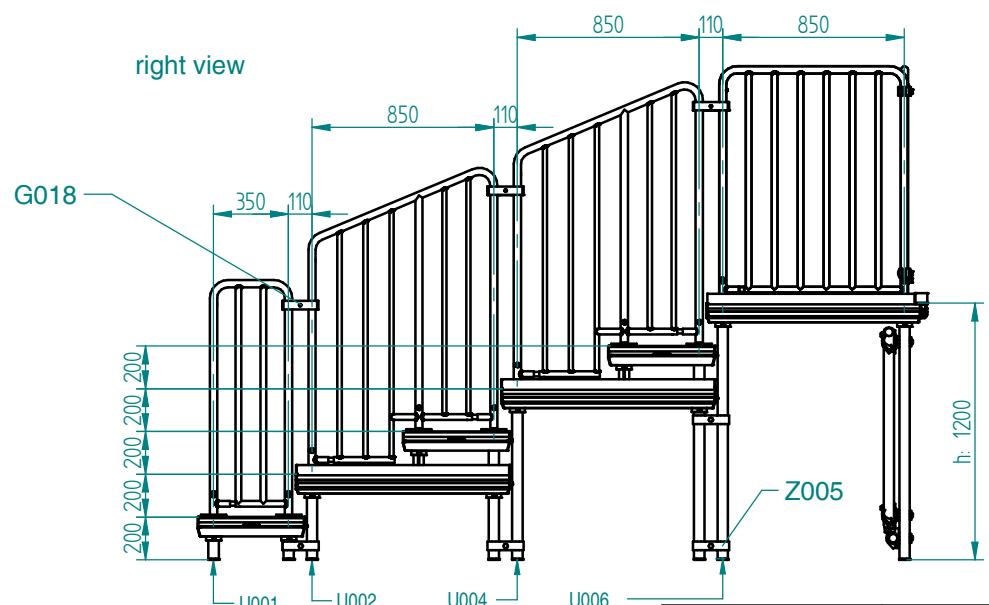
seat gallery 3 step for h: 60 cm, tier height 20, stairway middle			
Group	Art.No.	Description	Piece
P001	111 01 0	system platform 200 x 100 cm	9
P002	111 03 0	system platform 150 x 100 cm stairway	3
base construction			
U003	201 03 1	alu load distributor leg stage h: 60 cm	10
U002	201 02 1	alu load distributor leg stage h: 40 cm	10
U001	201 01 1	alu load distributor leg stage h: 20 cm	10
U011	200 06 7	floor protector for LD- & BB-leg skid-proof blue square (inkl.)	30
Z005	401 10 0	leg link 110 mm	10
gallery rails, 3 sides			
G012	303 03 0	safety rail vertical bars h:110 cm w: 185 cm	3
G011	303 04 0	safety rail vertical bars h:110 cm w: 135 cm	1
G010	303 02 0	safety rail vertical bars h:110 cm w: 85 cm	6
G015	310 01 0	rail support bolt Ø 26 mm	18
G017	310 10 5	rail link stage 150 mm reinforced	3
G018	310 11 0	rail link gallery 110 mm	4
G019	310 20 0	adapter Ø 48.3 mm	3
G020	310 21 0	corner link	4





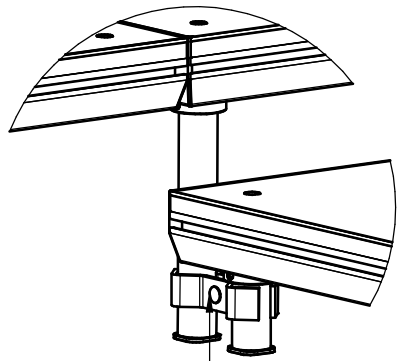
seat gallery 3 step for h: 120 cm, tier height 40, stairway at the side

Group	Art.No.	Description	Stück
P001	111 01 0	system platform 200 x 100 cm	6
P002	111 03 0	system platform 150 x 100 cm stairway	3
P008	111 04 0	system platform 150 x 50 cm stairway	3
base construction			
U006	211 06 1	alu load distributor leg stage h: 120 cm	8
U004	201 04 1	alu load distributor leg stage h: 80 cm	8
U002	201 02 1	alu load distributor leg stage h: 40 cm	8
U001	201 01 1	alu load distributor leg stage h: 20 cm	8
U011	200 06 7	floor protector for LD- & BB-leg skid-proof blue square (inkl.)	32
Z001	205 01 0	step leg for step height: 20 cm	4
Z003	401 01 0	step support bolt Ø 39 mm	4
U060	200 31 4	alu diagonal brace bl:200/185 cm, bh:>100-140cm, l: 2400mm	1
U034	4.702.019	Layher swivel coupler Ø 48.3 mm	2
U062	200 31 5	alu horizontal brace bay l: 200/185 cm l: 2100 mm	1
U035	4.700.019	Layher standard coupler Ø 48.3 mm	2
Z005	401 10 0	leg link 110 mm	14
gallery rails, 3 sides			
G012	303 03 0	safety rail vertical bars h:110 cm w: 185 cm	2
G011	303 04 0	safety rail vertical bars h:110 cm w: 135 cm	1
G010	303 02 0	safety rail vertical bars h:110 cm w: 85 cm	2
G013	303 10 0	safety rail vert. bars h: 110 cm w: 85 cm gallery step 40 cm	2
G014	303 11 0	safety rail vert. bars h: 110 cm w: 85 cm gallery step 20 cm	2
G009	303 01 0	safety rail vertical bars h:110 cm w: 35 cm	1
G015	310 01 0	rail support bolt Ø 26 mm	20
G017	310 10 5	rail link stage 150 mm reinforced	2
G018	310 11 0	rail link gallery 110 mm	5
G019	310 20 0	adapter Ø 48.3 mm	2
G020	310 21 0	corner link	4



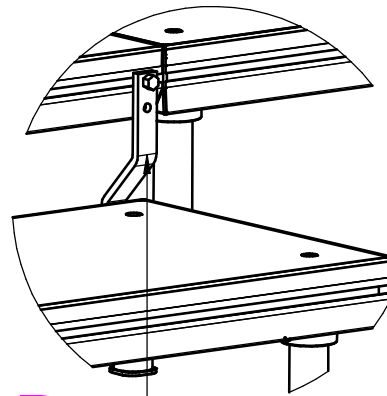
connection versions for steps

set up schemes of various ascents and descents



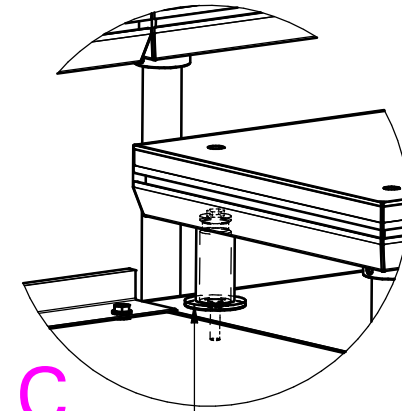
A

leg link 110 mm
if gallery leg available



B

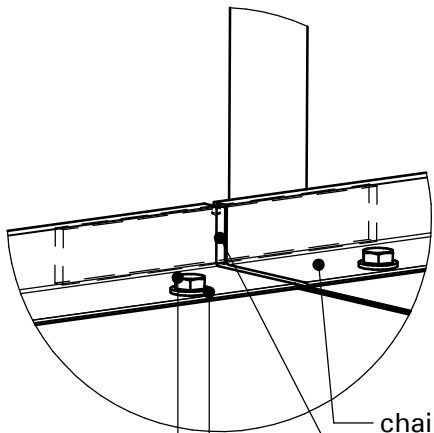
NF-link 110 mm
if gallery leg not available



C

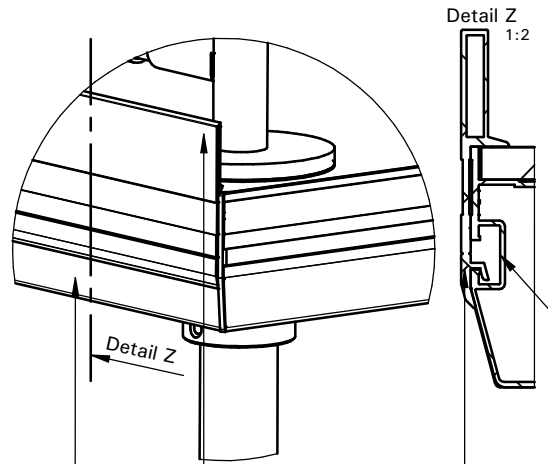
support bolt \varnothing 39 mm + step leg 20 cm
if leg supports (multifunctional holes)
of gallery and stairway platforms
are placed one above the other

attachment of laths



D

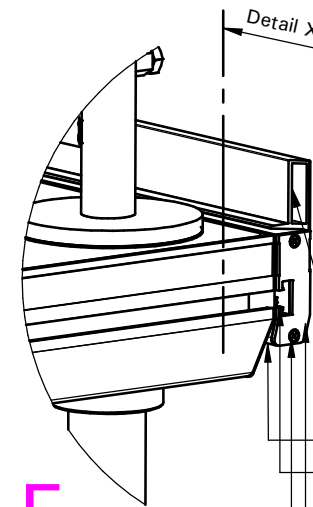
chair-blocking device
joint for chair
blocking device
washer DIN 125 A 13
hexagonal screw M12 x 40



E

anti-tumbling
board
groove profiles
of gallery platforms

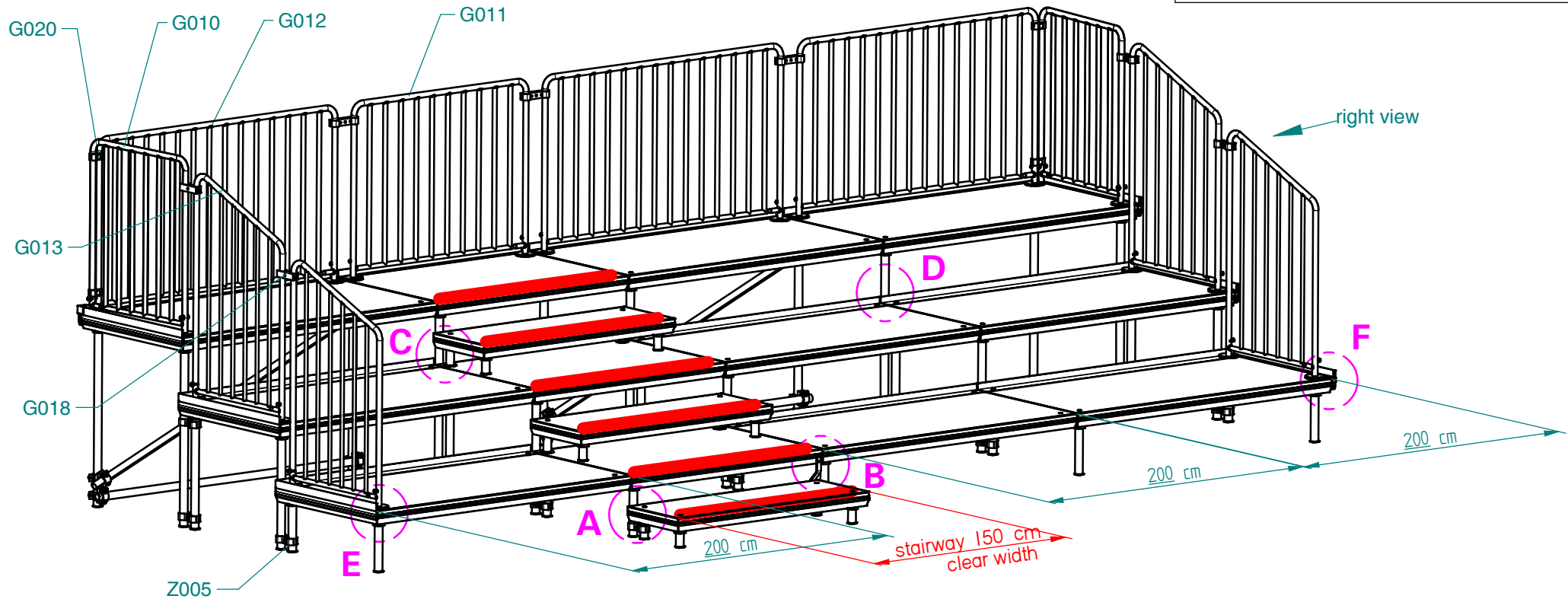
Detail Z
1:2



F

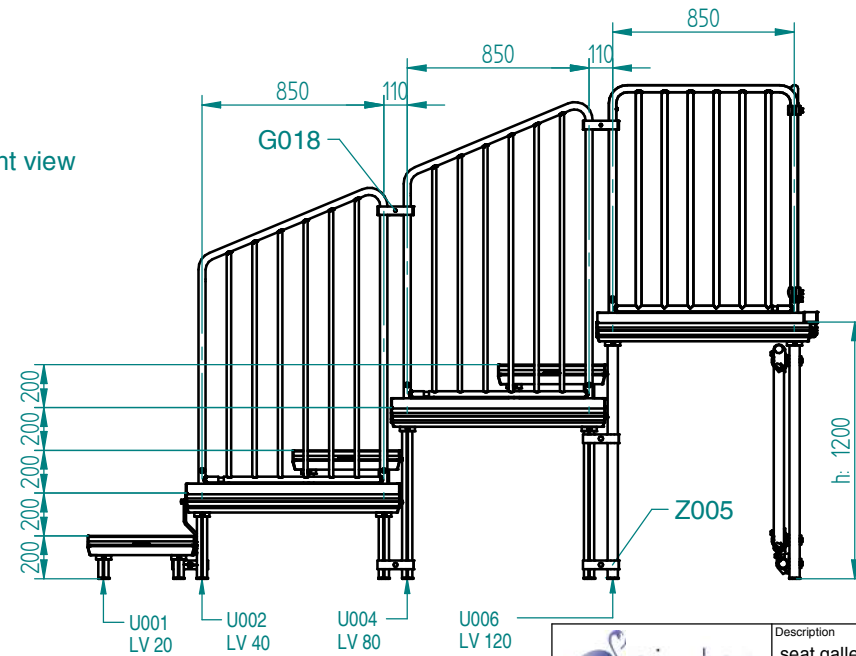
anti-tumbling
board
adapter lath
tongue profiles
of gallery platforms
end cap left side
countersunk screw
ISO 7050 3,5x16

Detail X
1:2



seat gallery 3 step for h: 120 cm, tier height 40, stairway middle			
Group	Art.No.	Description	Piece
P001	111 01 0	system platform 200 x 100 cm	9
P002	111 03 0	system platform 150 x 100 cm stairway	3
P008	111 04 0	system platform 150 x 50 cm stairway	3
base construction			
U006	211 06 1	alu load distributor leg stage h: 120 cm	10
U004	201 04 1	alu load distributor leg stage h: 80 cm	10
U002	201 02 1	alu load distributor leg stage h: 40 cm	10
U001	201 01 1	alu load distributor leg stage h: 20 cm	8
U011	200 06 7	floor protector for LD- & BB-leg skid-proof blue square (inkl.)	38
Z001	205 01 0	step leg for step height: 20 cm	4
Z003	401 01 0	step support bolt Ø 39 mm	4
U060	200 31 4	alu diagonal brace bl:200/185 cm, bh:>100-140cm, l: 2400mm	2
U034	4.702.019	Layher swivel coupler Ø 48.3 mm	4
U062	200 31 5	alu horizontal brace bay l: 200/185 cm l: 2100 mm	2
U035	4.700.019	Layher standard coupler Ø 48.3 mm	4
Z005	401 10 0	leg link 110 mm	16
Z007	402 01 0	link N-F 110 mm	1
gallery rails, 3 sides			
G012	303 03 0	safety rail vertical bars h:110 cm w: 185 cm	3
G011	303 04 0	safety rail vertical bars h:110 cm w: 135 cm	1
G010	303 02 0	safety rail vertical bars h:110 cm w: 85 cm	2
G013	303 10 0	safety rail vert. bars h: 110 cm w: 85 cm gallery step 40 cm	4
G015	310 01 0	rail support bolt Ø 26 mm	18
G017	310 10 5	rail link stage 150 mm reinforced	3
G018	310 11 0	rail link gallery 110 mm	4
G019	310 20 0	adapter Ø 48.3 mm	3
G020	310 21 0	corner link	4

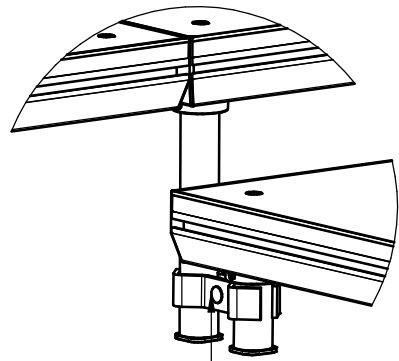
right view



Description
seat gallery 3 step for h: 120 cm, tier height 40
stairway middle

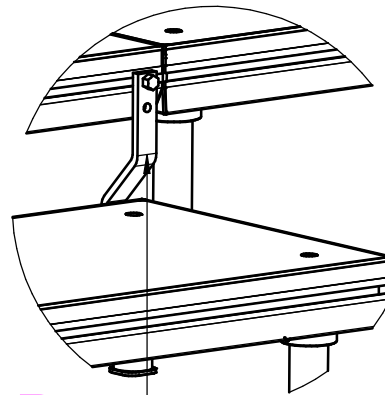
connection versions for steps

set up schemes of various ascents and descents



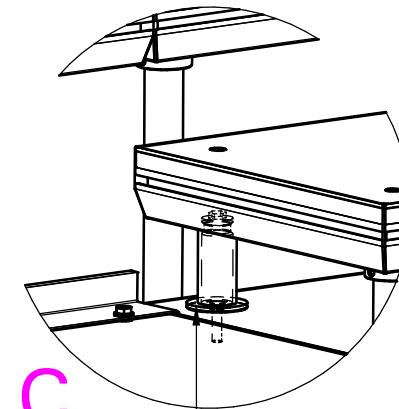
A

leg link 110 mm
if gallery leg available



B

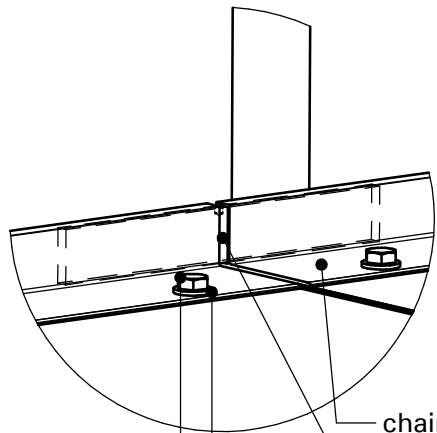
NF-link 110 mm
if gallery leg not available



C

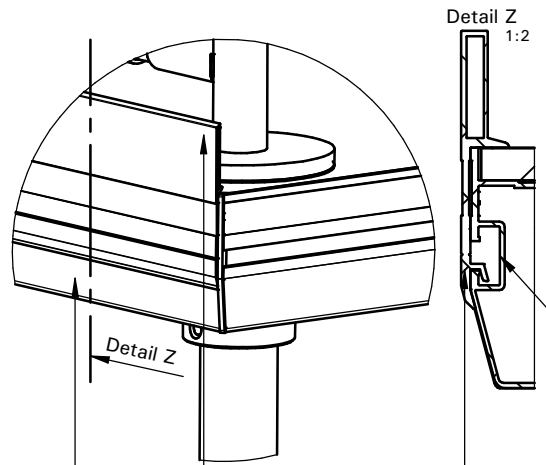
support bolt \varnothing 39 mm + step leg 20 cm
if leg supports (multifunctional holes)
of gallery and stairway platforms
are placed one above the other

attachment of laths



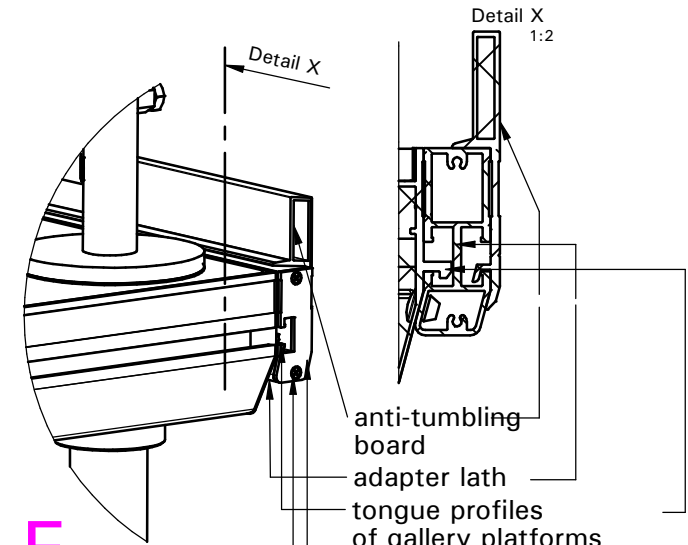
D

chair-blocking device
joint for chair
blocking device
washer DIN 125 A 13
hexagonal screw M12 x 40



E

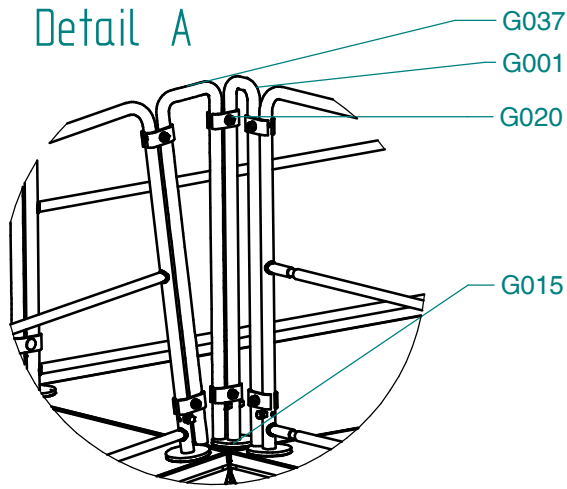
anti-tumbling
board
groove profiles
of gallery platforms



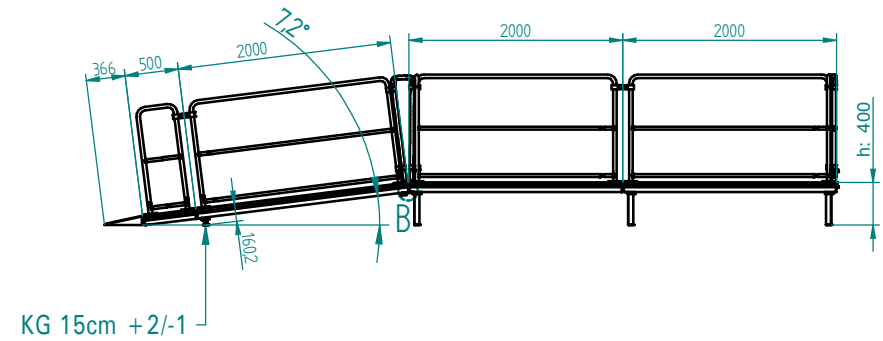
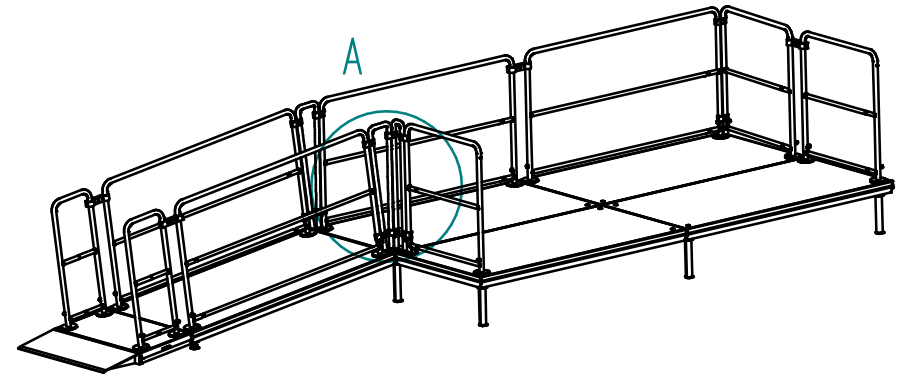
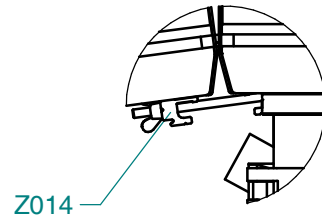
F

anti-tumbling
board
adapter lath
tongue profiles
of gallery platforms
end cap left side
countersunk screw
ISO 7050 3,5x16

Detail A



Detail B

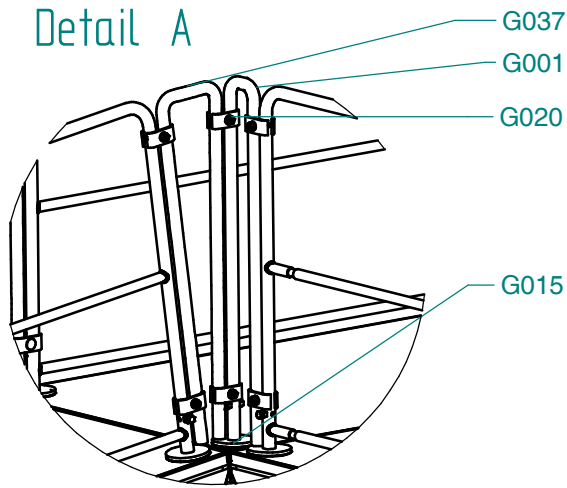


ramp for h: 40 cm, gradient 7,5°			
Group	Art.No.	Description	Piece
P001	111 01 0	system platform 200 x 100 cm	1
P009	111 06 0	system platform 100 x 50 cm	1
Z012	405 02 0	wedge for ramp w: 100 cm	1
		base construction	
U085	208 09 1	ball bearing leg +2/-1 cm stage h: 15 cm	2
U011	200 06 7	floor protector for LD- & BB-leg skid-proof blue square (inkl.)	2
		ramp rails, 2 sides	
G006	301 03 0	safety rail h: 100 cm w: 185 cm	2
G003	301 01 0	safety rail h: 100 cm w: 35 cm	2
G017	310 10 5	rail link stage 150 mm reinforced	2
G019	310 20 0	adapter Ø 48.3 mm	6
G015	310 01 0	rail support bolt Ø 26 mm	8

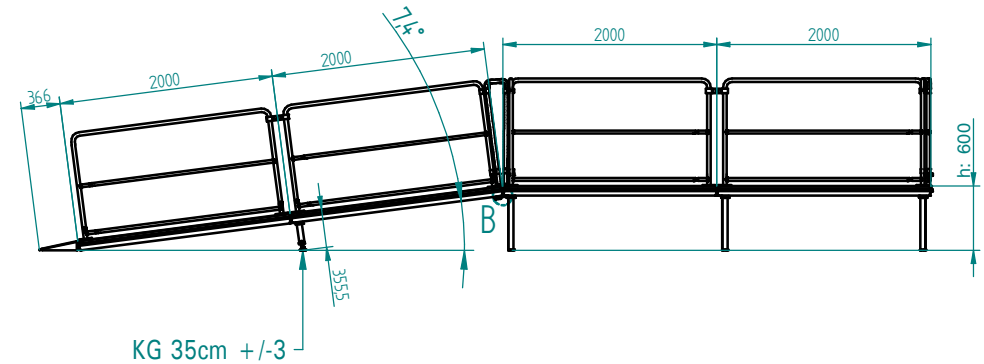
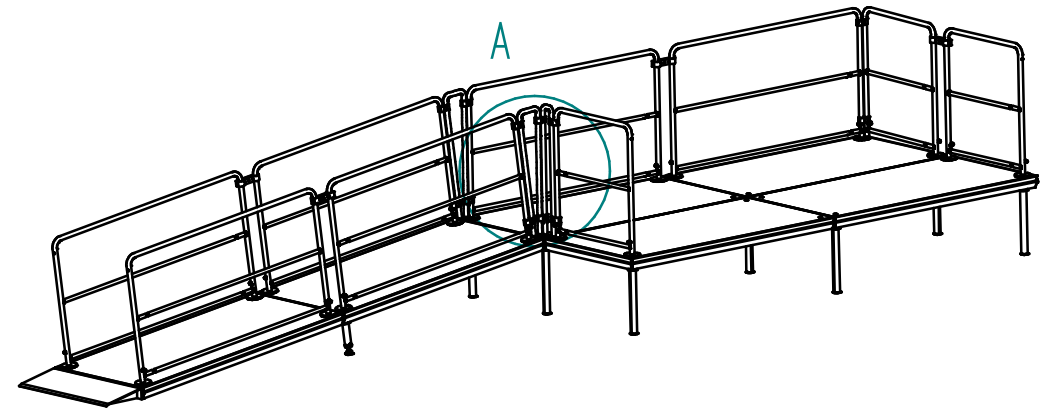
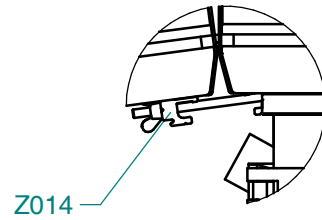
stage h: 40 cm			
Group	Art.No.	Description	Piece
P001	111 01 0	system platform 200 x 100 cm	4
		base construction	
U002	201 02 1	alu load distributor leg stage h: 40 cm	9
U011	200 06 7	floor protector for LD- & BB-leg skid-proof blue square	9
		stage rails, 3 sides	
G006	301 03 0	safety rail h: 100 cm w: 185 cm	2
G004	301 02 0	safety rail h: 100 cm w: 85 cm	3
G015	310 01 0	rail support bolt Ø 26 mm	9
G017	310 10 5	rail link stage 150 mm reinforced	2
G019	310 20 0	adapter Ø 48.3 mm	3
G020	310 21 0	corner link	2

connection of ramp and stage			
Group	Art.No.	Description	Piece
G037	306 02 0	ramp rail h: 100 cm wedge - 7.5° / -1°	2
G020	310 21 0	corner link	8
Z014	401 20 0	platform link	2
G001	301 00 4	safety rail h: 100 cm w: 10 cm	1
G015	310 01 0	rail support bolt Ø 26 mm	1
G020	310 21 0	corner link	2
G019	310 20 0	adapter Ø 48.3 mm	0

Detail A



Detail B

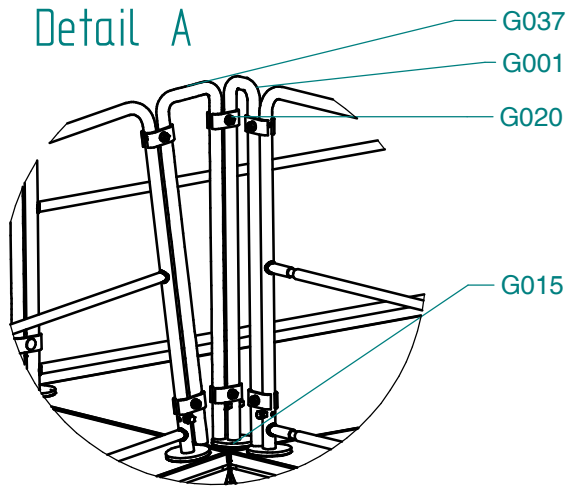


ramp for h: 60 cm, gradient 7,5°			
Group	Art.No.	Description	Piece
P001	111 01 0	system platform 200 x 100 cm	2
Z012	405 02 0	wedge for ramp w: 100 cm	1
base construction			
U089	208 12 1	ball bearing leg +/- 3 cm stage h: 35 cm	2
U011	200 06 7	floor protector for LD- & BB-leg skid-proof blue square (inkl.)	2
ramp rails, 2 sides			
G006	301 03 0	safety rail h: 100 cm w: 185 cm	4
G017	310 10 5	rail link stage 150 mm reinforced	2
G019	310 20 0	adapter Ø 48.3 mm	6
G015	310 01 0	rail support bolt Ø 26 mm	8

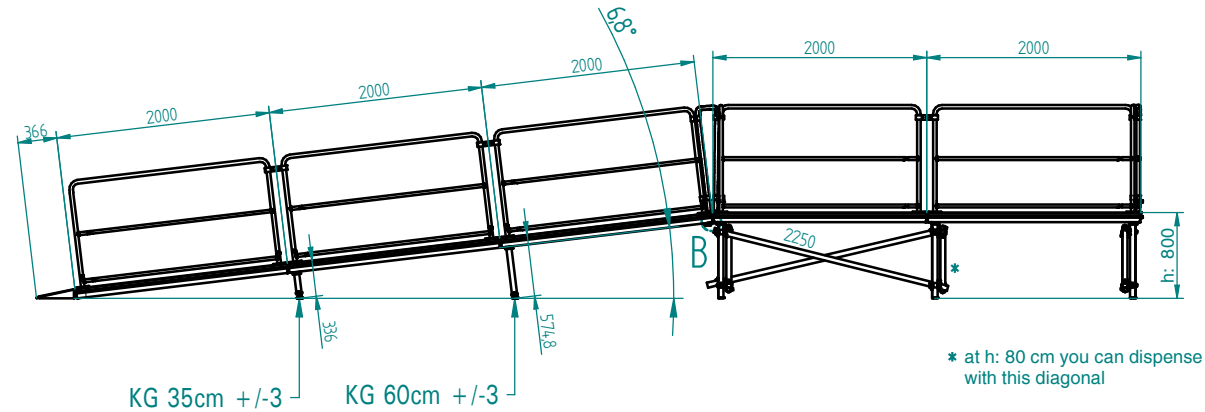
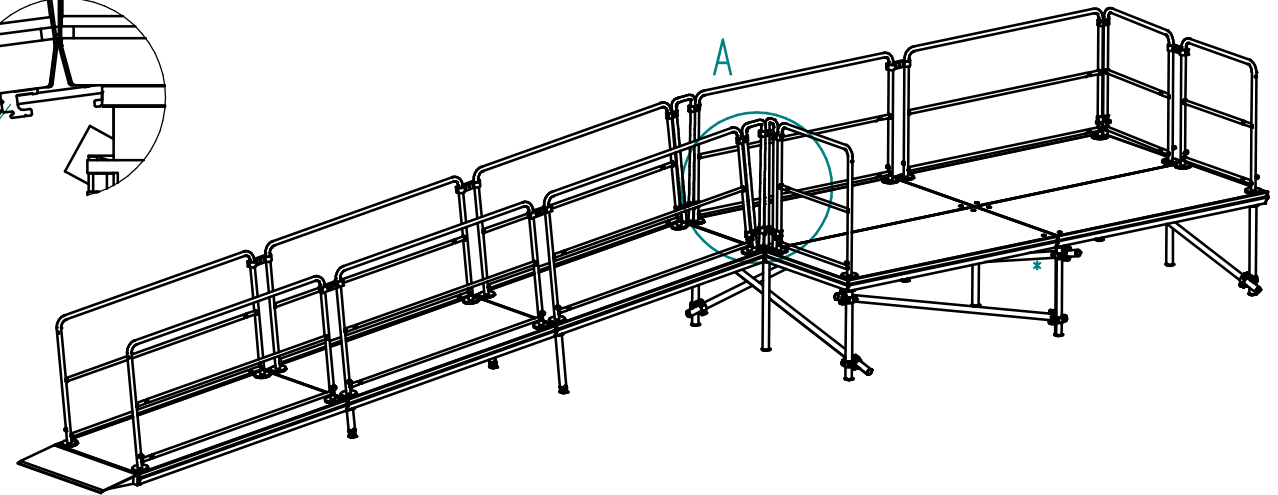
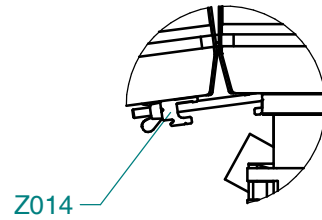
stage h: 60 cm			
Group	Art.No.	Description	Piece
P001	111 01 0	system platform 200 x 100 cm	4
base construction			
U003	201 03 1	alu load distributor leg stage h: 60 cm	9
U011	200 06 7	floor protector for LD- & BB-leg skid-proof blue square	9
stage rails, 3 sides			
G006	301 03 0	safety rail h: 100 cm w: 185 cm	2
G004	301 02 0	safety rail h: 100 cm w: 85 cm	3
G015	310 01 0	rail support bolt Ø 26 mm	9
G017	310 10 5	rail link stage 150 mm reinforced	2
G019	310 20 0	adapter Ø 48.3 mm	3
G020	310 21 0	corner link	2

connection of ramp and stage			
Group	Art.No.	Description	Piece
G037	306 02 0	ramp rail h: 100 cm wedge - 7.5° /-1°	2
G020	310 21 0	corner link	8
Z014	401 20 0	platform link	2
G001	301 00 4	safety rail h: 100 cm w: 10 cm	1
G015	310 01 0	rail support bolt Ø 26 mm	1
G020	310 21 0	corner link	2
G019	310 20 0	adapter Ø 48.3 mm	0

Detail A



Detail B



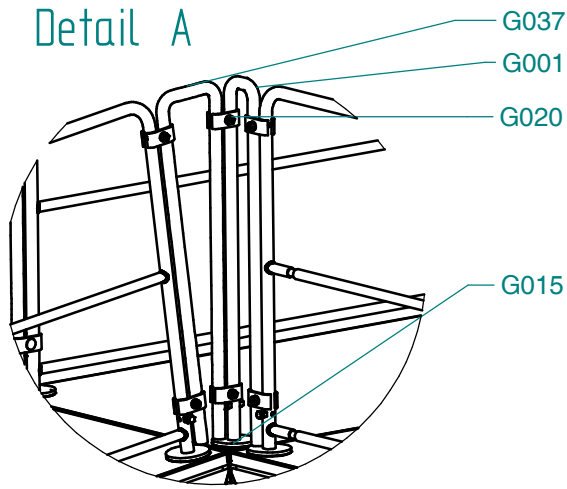
* at h: 80 cm you can dispense with this diagonal

ramp for h: 80 cm, gradient 7,5°			
Group	Art.No.	Description	Piece
P001	111 01 0	system platform 200 x 100 cm	3
Z012	405 02 0	wedge for ramp w: 100 cm	1
base construction			
U089	208 12 1	ball bearing leg +/- 3 cm stage h: 35 cm	2
U094	208 03 1	ball bearing leg +/- 3 cm stage h: 60 cm	2
U011	200 06 7	floor protector for LD- & BB-leg skid-proof blue square (inkl.)	4
ramp rails, 2 sides			
G006	301 03 0	safety rail h: 100 cm w: 185 cm	6
G017	310 10 5	rail link stage 150 mm reinforced	4
G019	310 20 0	adapter Ø 48.3 mm	8
G015	310 01 0	rail support bolt Ø 26 mm	12

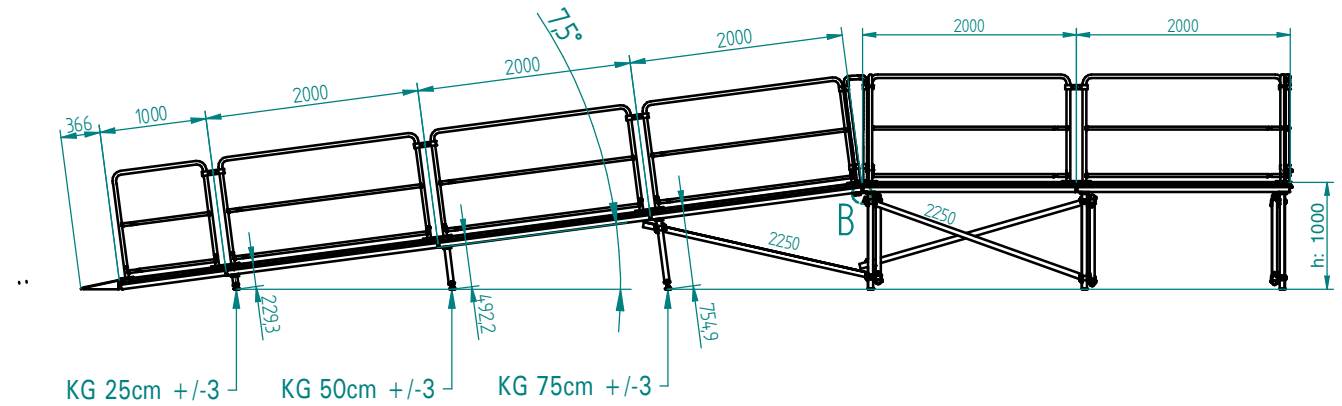
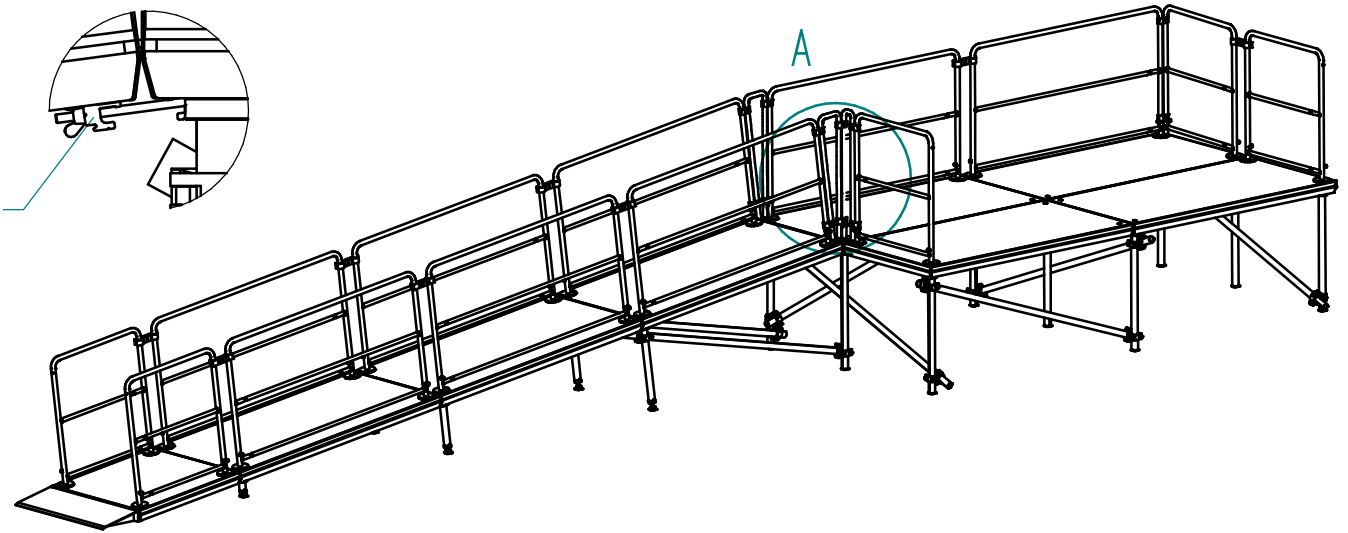
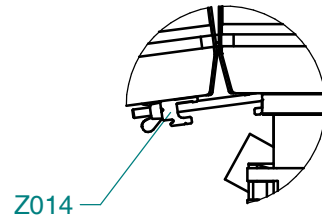
stage h: 80 cm			
Group	Art.No.	Description	Piece
P001	111 01 0	system platform 200 x 100 cm	4
base construction			
U004	201 04 1	alu load distributor leg stage h: 80 cm	9
U011	200 06 7	floor protector for LD- & BB-leg skid-proof blue square	9
U058	200 31 3	alu diagonal brace bl: 200/185 cm, bh: 80-100cm, l: 2250 mm	5
U034	4.702.019	Layher swivel coupler Ø 48.3 mm	10
stage rails, 3 sides			
G006	301 03 0	safety rail h: 100 cm w: 185 cm	2
G004	301 02 0	safety rail h: 100 cm w: 85 cm	3
G015	310 01 0	rail support bolt Ø 26 mm	9
G017	310 10 5	rail link stage 150 mm reinforced	2
G019	310 20 0	adapter Ø 48.3 mm	3
G020	310 21 0	corner link	2

connection of ramp and stage			
Group	Art.No.	Description	Piece
G037	306 02 0	ramp rail h: 100 cm wedge - 7.5° /-1°	2
G020	310 21 0	corner link	8
Z014	401 20 0	platform link	2
G001	301 00 4	safety rail h: 100 cm w: 10 cm	1
G015	310 01 0	rail support bolt Ø 26 mm	1
G020	310 21 0	corner link	2
G019	310 20 0	adapter Ø 48.3 mm	0

Detail A



Detail B

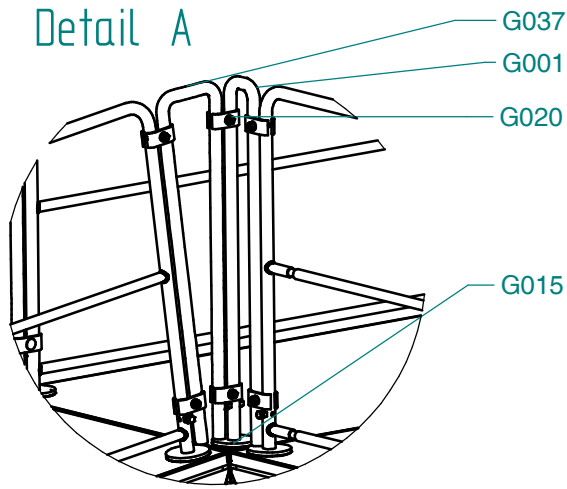


ramp for h: 100 cm, gradient 7,5°			
Group	Art.No.	Description	Piece
P001	111 01 0	system platform 200 x 100 cm	3
P003	111 05 0	system platform 100 x 100 cm	1
Z012	405 02 0	wedge for ramp w: 100 cm	1
base construction			
U087	208 10 1	ball bearing leg +/- 3 cm stage h: 25 cm	2
U092	208 14 1	ball bearing leg +/- 3 cm stage h: 50 cm	2
U097	208 17 1	ball bearing leg +/- 3 cm stage h: 75 cm	2
U011	200 06 7	floor protector for LD- & BB-leg skid-proof blue square (inkl.)	6
U058	200 31 3	alu diagonal brace bl: 200/185 cm, bh: 80-100cm, l: 2250 mm	2
U034	4.702.019	Layher swivel coupler Ø 48.3 mm	4
ramp rails, 2 sides			
G006	301 03 0	safety rail h: 100 cm w: 185 cm	6
G004	301 02 0	safety rail h: 100 cm w: 85 cm	2
G017	310 10 5	rail link stage 150 mm reinforced	6
G019	310 20 0	adapter Ø 48.3 mm	10
G015	310 01 0	rail support bolt Ø 26 mm	16

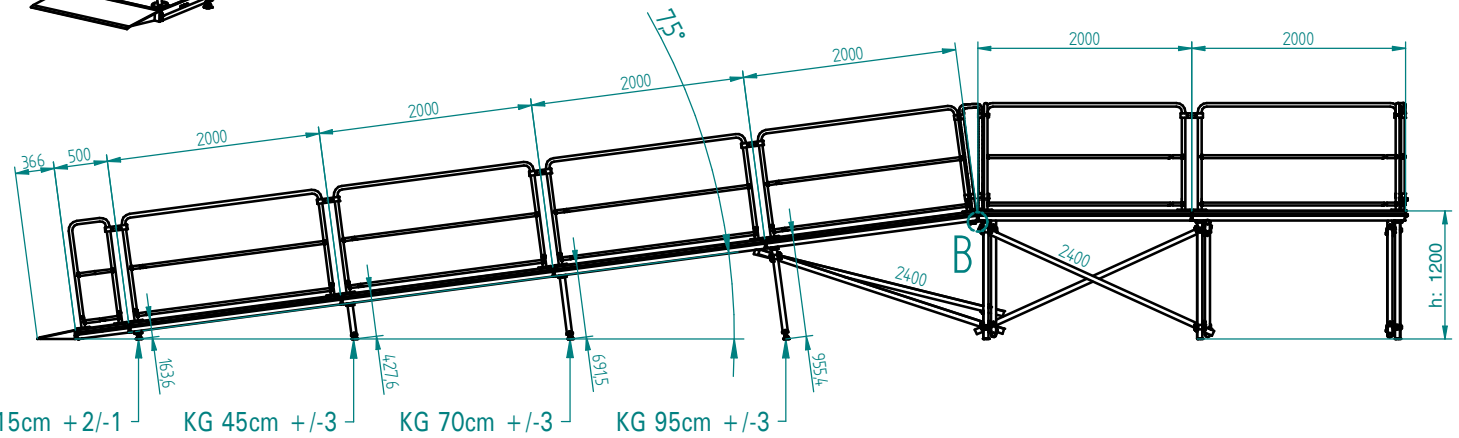
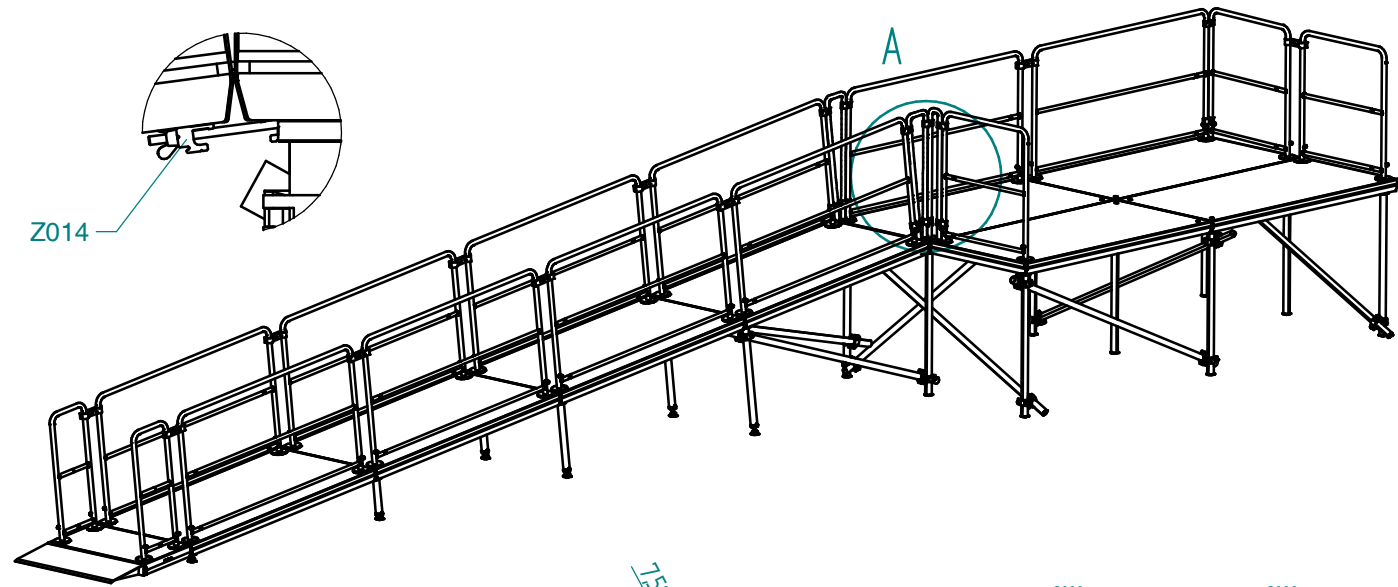
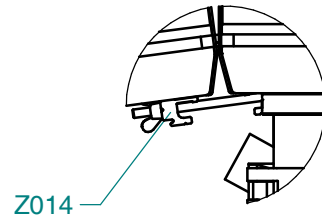
stage h: 100 cm			
Group	Art.No.	Description	Piece
P001	111 01 0	system platform 200 x 100 cm	4
base construction			
U005	211 05 1	alu load distributor leg stage h: 100 cm	9
U011	200 06 7	floor protector for LD- & BB-leg skid-proof blue square	9
U058	200 31 3	Alu-Diagonale FL: 200/185 cm FH: 80-100 cm L: 2250 mm	5
U034	4.702.019	Layher Drehkupplung Ø48,3 mm	10
stage rails, 3 sides			
G006	301 03 0	safety rail h: 100 cm w: 185 cm	2
G004	301 02 0	safety rail h: 100 cm w: 85 cm	3
G015	310 01 0	rail support bolt Ø 26 mm	9
G017	310 10 5	rail link stage 150 mm reinforced	2
G019	310 20 0	adapter Ø 48.3 mm	3
G020	310 21 0	corner link	2

connection of ramp and stage			
Group	Art.No.	Description	Piece
G037	306 02 0	ramp rail h: 100 cm wedge - 7.5° /-1°	2
G020	310 21 0	corner link	8
Z014	401 20 0	platform link	2
G001	301 00 4	safety rail h: 100 cm w: 10 cm	1
G015	310 01 0	rail support bolt Ø 26 mm	1
G020	310 21 0	corner link	2
G019	310 20 0	adapter Ø 48.3 mm	0

Detail A



Detail B



ramp for h: 120 cm, gradient 7,5°			
Group	Art.No.	Description	Piece
P001	111 01 0	system platform 200 x 100 cm	4
P009	111 06 0	system platform 100 x 50 cm	1
Z012	405 02 0	wedge for ramp w: 100 cm	1
base construction			
U085	208 09 1	ball bearing leg +2/-1 cm stage h: 15 cm	2
U091	208 13 1	ball bearing leg +/- 3 cm stage h: 45 cm	2
U096	208 16 1	ball bearing leg +/- 3 cm stage h: 70 cm	2
U101	208 20 1	ball bearing leg +/- 3 cm stage h: 95 cm	2
U011	200 06 7	floor protector for LD- & BB-leg skid-proof blue square (inkl.)	8
U060	200 31 4	alu diagonal brace bl:200/185 cm, bh:>100-140cm, l: 2400mm	2
U034	4.702.019	Layher swivel coupler Ø 48.3 mm	4
ramp rails, 2 sides			
G006	301 03 0	safety rail h: 100 cm w: 185 cm	8
G003	301 01 0	safety rail h: 100 cm w: 35 cm	2
G017	310 10 5	rail link stage 150 mm reinforced	8
G019	310 20 0	adapter Ø 48.3 mm	12
G015	310 01 0	rail support bolt Ø 26 mm	20

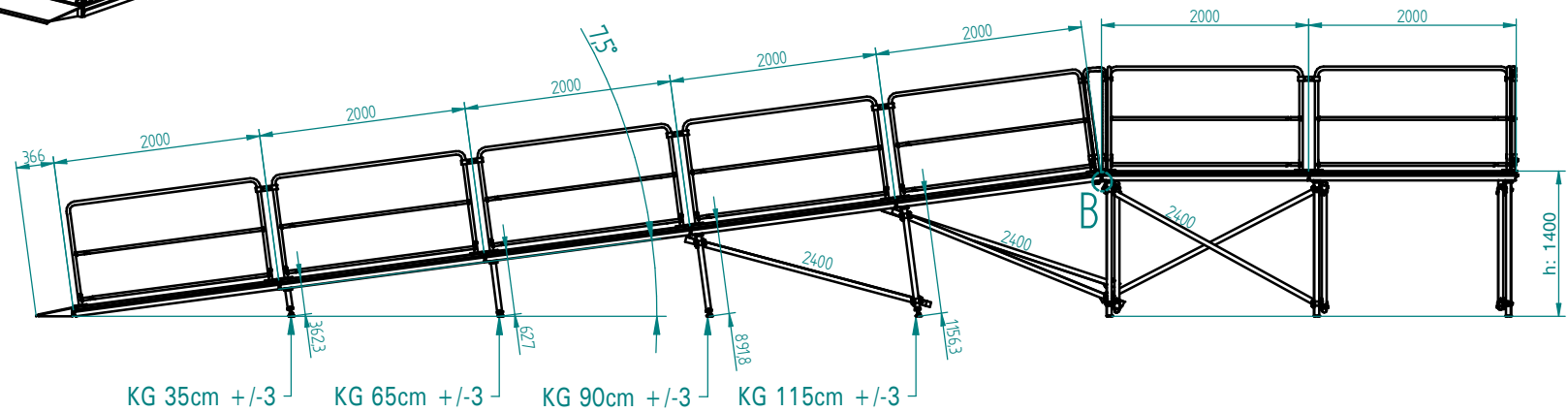
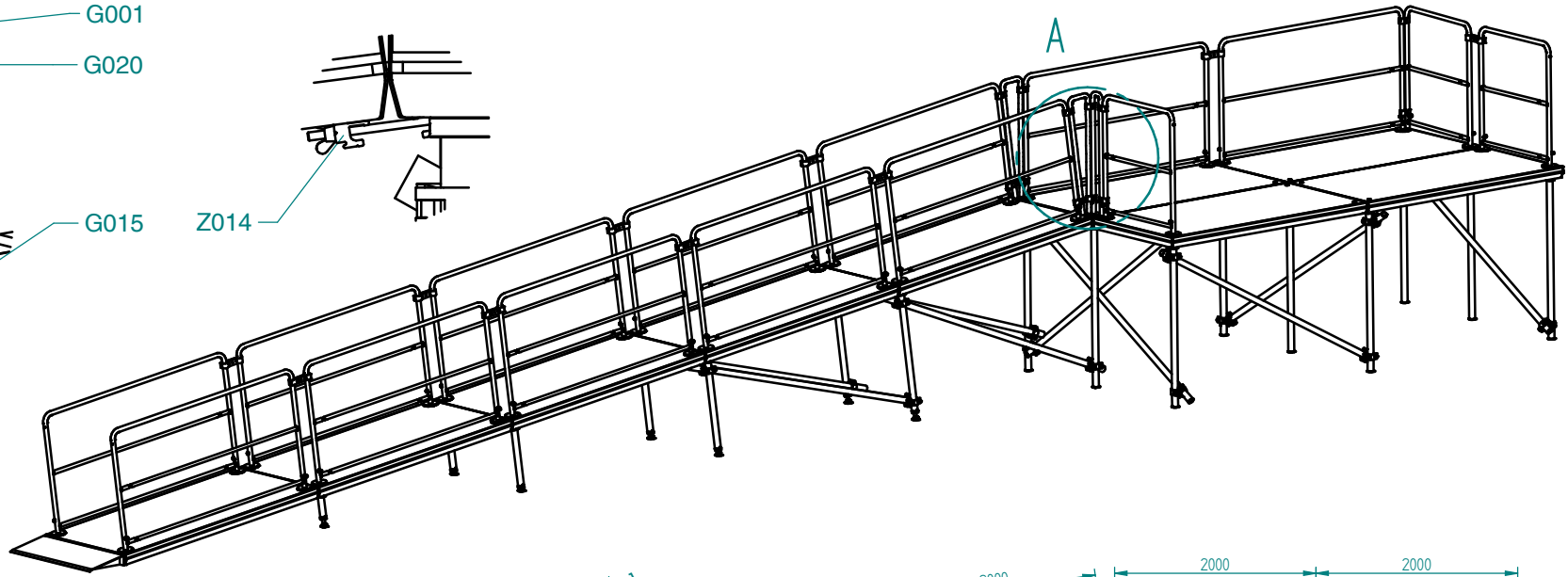
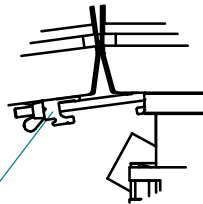
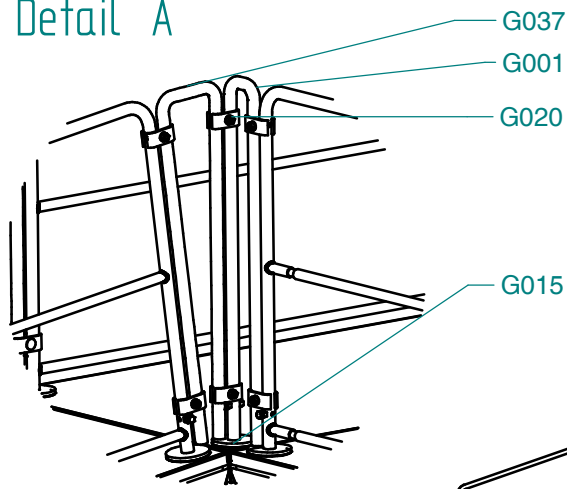
stage h: 120 cm			
Group	Art.No.	Description	Piece
P001	111 01 0	system platform 200 x 100 cm	4
base construction			
U006	211 06 1	alu load distributor leg stage h: 120 cm	9
U011	200 06 7	floor protector for LD- & BB-leg skid-proof blue square	9
U060	200 31 4	alu diagonal brace bl:200/185 cm, bh:>100-140cm, l: 2400mm	5
U034	4.702.019	Layher swivel coupler Ø 48.3 mm	10
stage rails, 3 sides			
G006	301 03 0	safety rail h: 100 cm w: 185 cm	2
G004	301 02 0	safety rail h: 100 cm w: 85 cm	3
G015	310 01 0	rail support bolt Ø 26 mm	9
G017	310 10 5	rail link stage 150 mm reinforced	2
G019	310 20 0	adapter Ø 48.3 mm	3
G020	310 21 0	corner link	2

connection of ramp and stage			
Group	Art.No.	Description	Piece
G037	306 02 0	ramp rail h: 100 cm wedge - 7.5° / -1°	2
G020	310 21 0	corner link	8
Z014	401 20 0	platform link	2
G001	301 00 4	safety rail h: 100 cm w: 10 cm	1
G015	310 01 0	rail support bolt Ø 26 mm	1
G020	310 21 0	corner link	2
G019	310 20 0	adapter Ø 48.3 mm	0

Detail A

Detail B

set up schemes of various ascents and descents

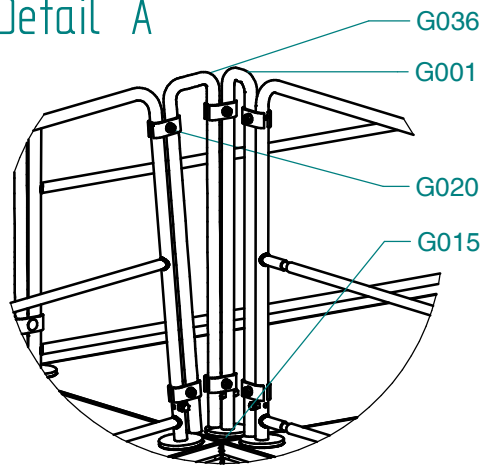


ramp for h: 140 cm, gradient 7,5°			
Group	Art.No.	Description	Piece
P001	111 01 0	system platform 200 x 100 cm	5
Z012	405 02 0	wedge for ramp w: 100 cm	1
base construction			
U089	208 12 1	ball bearing leg +/- 3 cm stage h: 35 cm	2
U095	208 15 1	ball bearing leg +/- 3 cm stage h: 65 cm	2
U100	208 19 1	ball bearing leg +/- 3 cm stage h: 90 cm	2
U104	208 22 1	Kugelgelenkfuß +/- 3 cm für BH: 115 cm	2
U011	200 06 7	floor protector for LD- & BB-leg skid-proof blue square (inkl.)	8
U060	200 31 4	alu diagonal brace bl:200/185 cm, bh:>100-140cm, l: 2400mm	4
U034	4.702.019	Layher swivel coupler Ø 48.3 mm	8
ramp rails, 2 sides			
G006	301 03 0	safety rail h: 100 cm w: 185 cm	10
G017	310 10 5	rail link stage 150 mm reinforced	8
G019	310 20 0	adapter Ø 48.3 mm	12
G015	310 01 0	rail support bolt Ø 26 mm	20

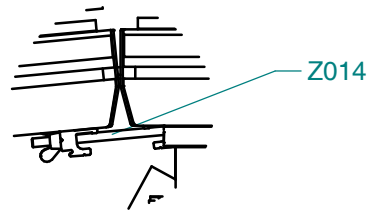
stage h: 140 cm			
Group	Art.No.	Description	Piece
P001	111 01 0	system platform 200 x 100 cm	4
base construction			
U007	211 07 1	alu load distributor leg stage h: 140 cm	9
U011	200 06 7	floor protector for LD- & BB-leg skid-proof blue square	9
U060	200 31 4	alu diagonal brace bl:200/185 cm, bh:>100-140cm, l: 2400mm	5
U034	4.702.019	Layher swivel coupler Ø 48.3 mm	10
stage rails, 3 sides			
G006	301 03 0	safety rail h: 100 cm w: 185 cm	2
G004	301 02 0	safety rail h: 100 cm w: 85 cm	3
G015	310 01 0	rail support bolt Ø 26 mm	9
G017	310 10 5	rail link stage 150 mm reinforced	2
G019	310 20 0	adapter Ø 48.3 mm	3
G020	310 21 0	corner link	2

connection of ramp and stage			
Group	Art.No.	Description	Piece
G037	306 02 0	ramp rail h: 100 cm wedge - 7.5° /-1°	2
G020	310 21 0	corner link	8
Z014	401 20 0	platform link	2
G001	301 00 4	safety rail h: 100 cm w: 10 cm	1
G015	310 01 0	rail support bolt Ø 26 mm	1
G020	310 21 0	corner link	2
G019	310 20 0	adapter Ø 48.3 mm	0

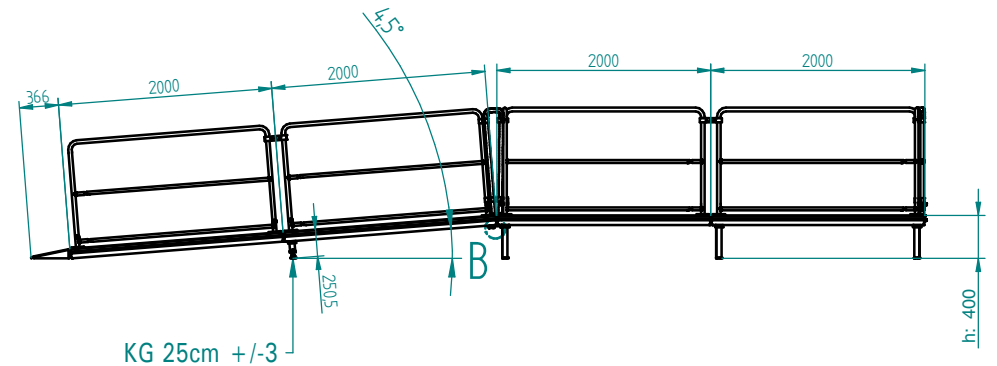
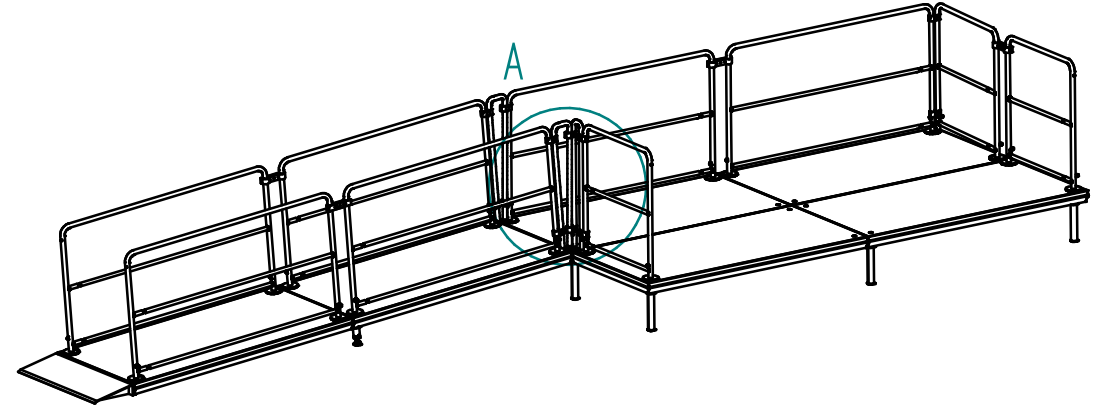
Detail A



Detail B



set up schemes of various ascents and descents



ramp for h: 40 cm, gradient 5°			
Group	Art.No.	Description	Piece
P001	111 01 0	system platform 200 x 100 cm	2
Z012	405 02 0	wedge for ramp w: 100 cm	1
base construction			
U087	208 10 1	ball bearing leg +/- 3 cm stage h: 25 cm	2
U011	200 06 7	floor protector for LD- & BB-leg skid-proof blue square (inkl.)	2
ramp rails, 2 sides			
G006	301 03 0	safety rail h: 100 cm w: 185 cm	4
G017	310 10 5	rail link stage 150 mm reinforced	2
G019	310 20 0	adapter Ø 48.3 mm	6
G015	310 01 0	rail support bolt Ø 26 mm	8

stage h: 40 cm			
Group	Art.No.	Description	Piece
P001	111 01 0	system platform 200 x 100 cm	4
base construction			
U002	201 02 1	alu load distributor leg stage h: 40 cm	9
U011	200 06 7	floor protector for LD- & BB-leg skid-proof blue square	9
stage rails, 3 sides			
G006	301 03 0	safety rail h: 100 cm w: 185 cm	2
G004	301 02 0	safety rail h: 100 cm w: 85 cm	3
G015	310 01 0	rail support bolt Ø 26 mm	9
G017	310 10 5	rail link stage 150 mm reinforced	2
G019	310 20 0	adapter Ø 48.3 mm	3
G020	310 21 0	corner link	2

connection of ramp and stage			
Group	Art.No.	Description	Piece
G036	306 01 0	ramp rail h: 100 cm wedge - 5° + 1,5/-0,5°	2
G020	310 21 0	corner link	8
Z014	401 20 0	platform link	2
G001	301 00 4	safety rail h: 100 cm w: 10 cm	1
G015	310 01 0	rail support bolt Ø 26 mm	1
G020	310 21 0	corner link	2
G019	310 20 0	adapter Ø 48.3 mm	0



Description

ramp, for h: 40 cm, gradient 5°

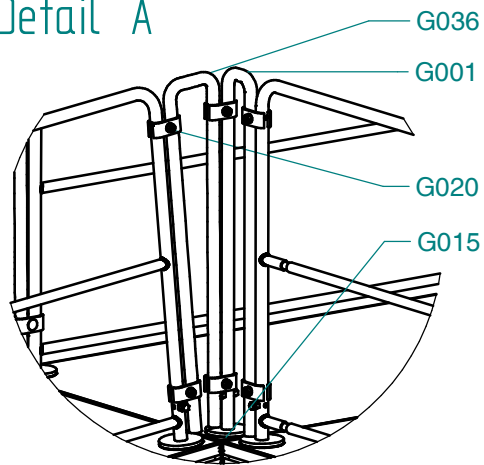
info@nivtec.com

Art.No. R0401.045

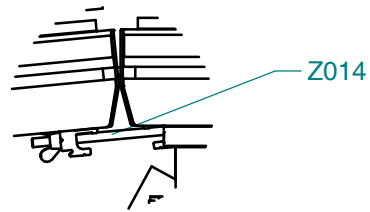
Date: 20.02.2024

Sheet: 1 / 1

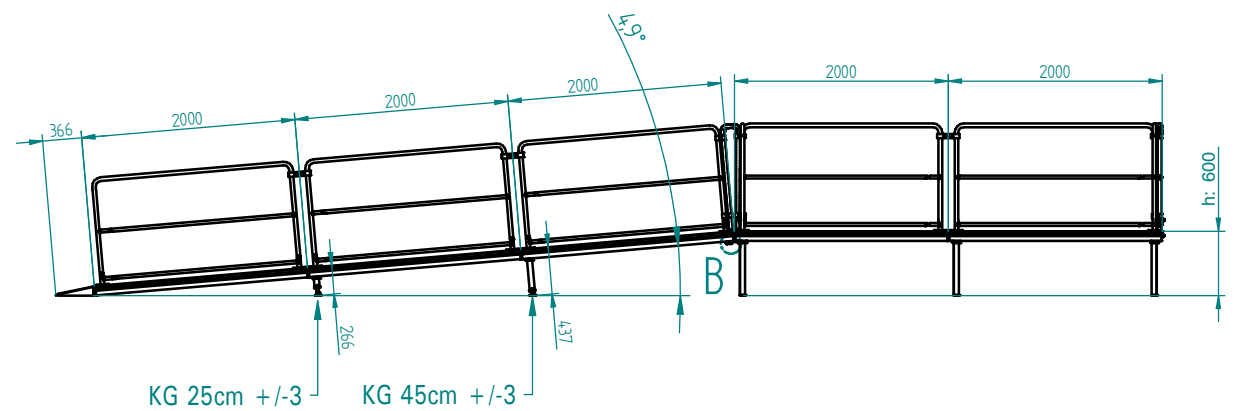
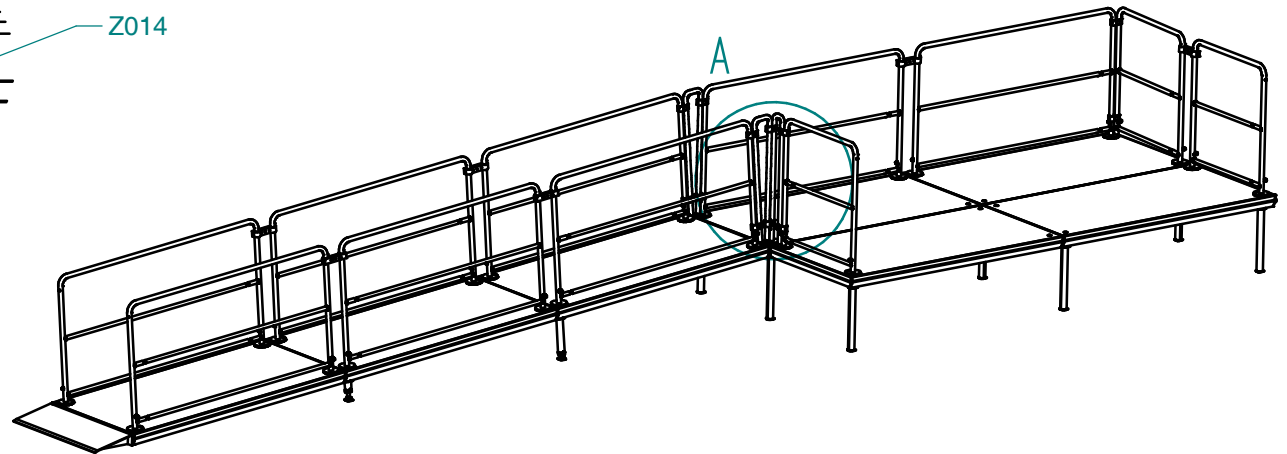
Detail A



Detail B



set up schemes of various ascents and descents



ramp for h: 60 cm, gradient 5°			
Group	Art.No.	Description	Piece
P001	111 01 0	system platform 200 x 100 cm	3
Z012	405 02 0	wedge for ramp w: 100 cm	1
base construction			
U087	208 10 1	ball bearing leg +/- 3 cm stage h: 25 cm	2
U091	208 13 1	ball bearing leg +/- 3 cm stage h: 45 cm	2
U011	200 06 7	floor protector for LD- & BB-leg skid-proof blue square (inkl.)	4
ramp rails, 2 sides			
G006	301 03 0	safety rail h: 100 cm w: 185 cm	6
G017	310 10 5	rail link stage 150 mm reinforced	4
G019	310 20 0	adapter Ø 48.3 mm	8
G015	310 01 0	rail support bolt Ø 26 mm	12

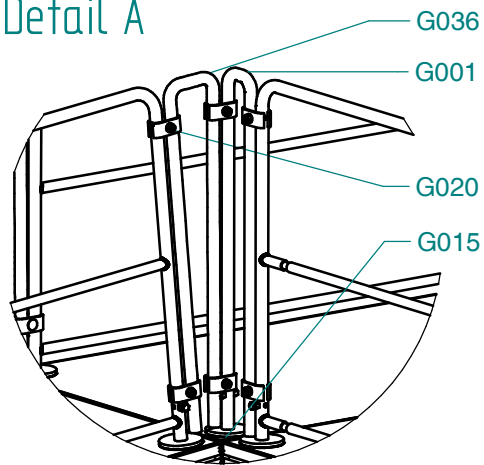
stage h: 60 cm			
Group	Art.No.	Description	Piece
P001	111 01 0	system platform 200 x 100 cm	4
base construction			
U003	201 03 1	alu load distributor leg stage h: 60 cm	9
U011	200 06 7	floor protector for LD- & BB-leg skid-proof blue square	9
stage rails, 3 sides			
G006	301 03 0	safety rail h: 100 cm w: 185 cm	2
G004	301 02 0	safety rail h: 100 cm w: 85 cm	3
G015	310 01 0	rail support bolt Ø 26 mm	9
G017	310 10 5	rail link stage 150 mm reinforced	2
G019	310 20 0	adapter Ø 48.3 mm	3
G020	310 21 0	corner link	2

connection of ramp and stage			
Group	Art.No.	Description	Piece
G036	306 01 0	ramp rail h: 100 cm wedge - 5° + 1,5/-0,5°	2
G020	310 21 0	corner link	8
Z014	401 20 0	platform link	2
G001	301 00 4	safety rail h: 100 cm w: 10 cm	1
G015	310 01 0	rail support bolt Ø 26 mm	1
G020	310 21 0	corner link	2
G019	310 20 0	adapter Ø 48.3 mm	0

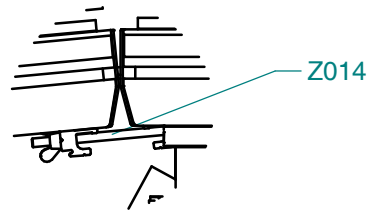
Description
ramp, for h: 60 cm, gradient 5°

info@niytec.com	Art.No. R0601.065	Date: 20.02.2024	Sheet: 1 / 1
-----------------	-------------------	------------------	--------------

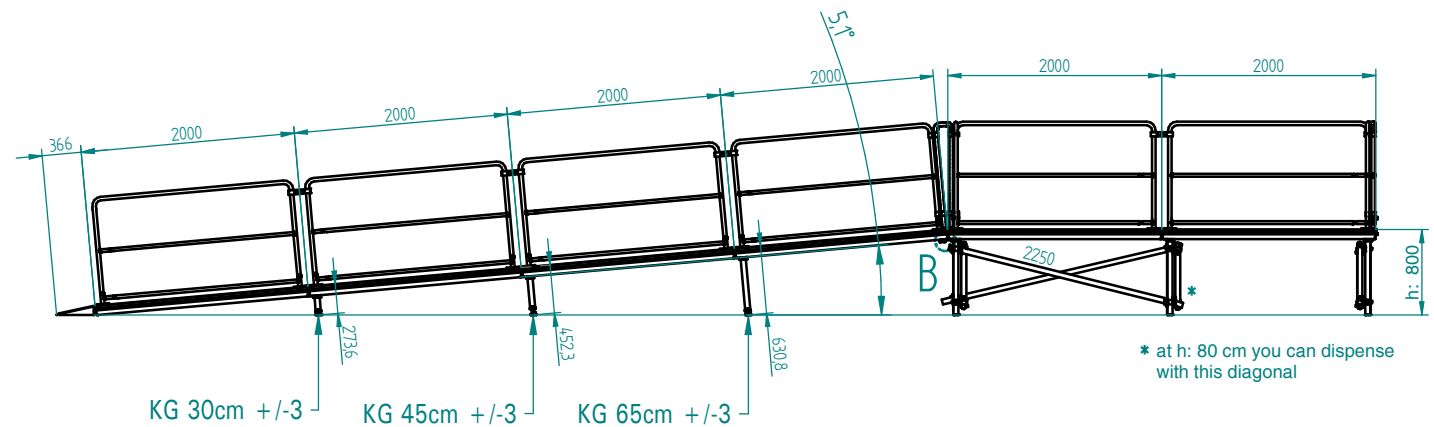
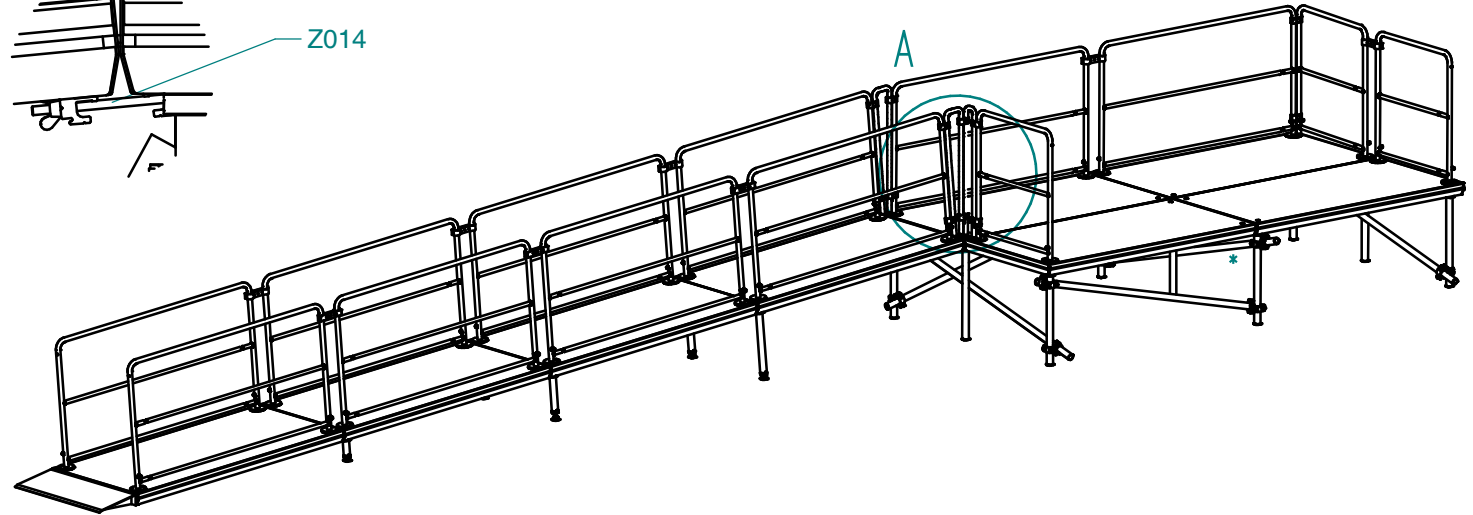
Detail A



Detail B



set up schemes of various ascents and descents



* at h: 80 cm you can dispense with this diagonal

ramp for h: 80 cm, gradient 5°			
Group	Art.No.	Description	Piece
P001	111 01 0	system platform 200 x 100 cm	4
Z012	405 02 0	wedge for ramp w: 100 cm	1
base construction			
U088	208 11 1	ball bearing leg +/- 3 cm stage h: 30 cm	2
U091	208 13 1	ball bearing leg +/- 3 cm stage h: 45 cm	2
U095	208 15 1	ball bearing leg +/- 3 cm stage h: 65 cm	2
U011	200 06 7	floor protector for LD- & BB-leg skid-proof blue square (inkl.)	6
ramp rails, 2 sides			
G006	301 03 0	safety rail h: 100 cm w: 185 cm	8
G017	310 10 5	rail link stage 150 mm reinforced	6
G019	310 20 0	adapter Ø 48.3 mm	10
G015	310 01 0	rail support bolt Ø 26 mm	16

stage h: 80 cm			
Group	Art.No.	Description	Piece
P001	111 01 0	system platform 200 x 100 cm	4
base construction			
U004	201 04 1	alu load distributor leg stage h: 80 cm	9
U011	200 06 7	floor protector for LD- & BB-leg skid-proof blue square	9
U058	200 31 3	alu diagonal brace bl: 200/185 cm, bh: 80-100cm, l: 2250 mm	5
U034	4.702.019	Layher swivel coupler Ø 48.3 mm	10
stage rails, 3 sides			
G006	301 03 0	safety rail h: 100 cm w: 185 cm	2
G004	301 02 0	safety rail h: 100 cm w: 85 cm	3
G015	310 01 0	rail support bolt Ø 26 mm	9
G017	310 10 5	rail link stage 150 mm reinforced	2
G019	310 20 0	adapter Ø 48.3 mm	3
G020	310 21 0	corner link	2

connection of ramp and stage			
Group	Art.No.	Description	Piece
G036	306 01 0	ramp rail h: 100 cm wedge - 5° + 1,5/-0,5°	2
G020	310 21 0	corner link	8
Z014	401 20 0	platform link	2
G001	301 00 4	safety rail h: 100 cm w: 10 cm	1
G015	310 01 0	rail support bolt Ø 26 mm	1
G020	310 21 0	corner link	2
G019	310 20 0	adapter Ø 48.3 mm	0

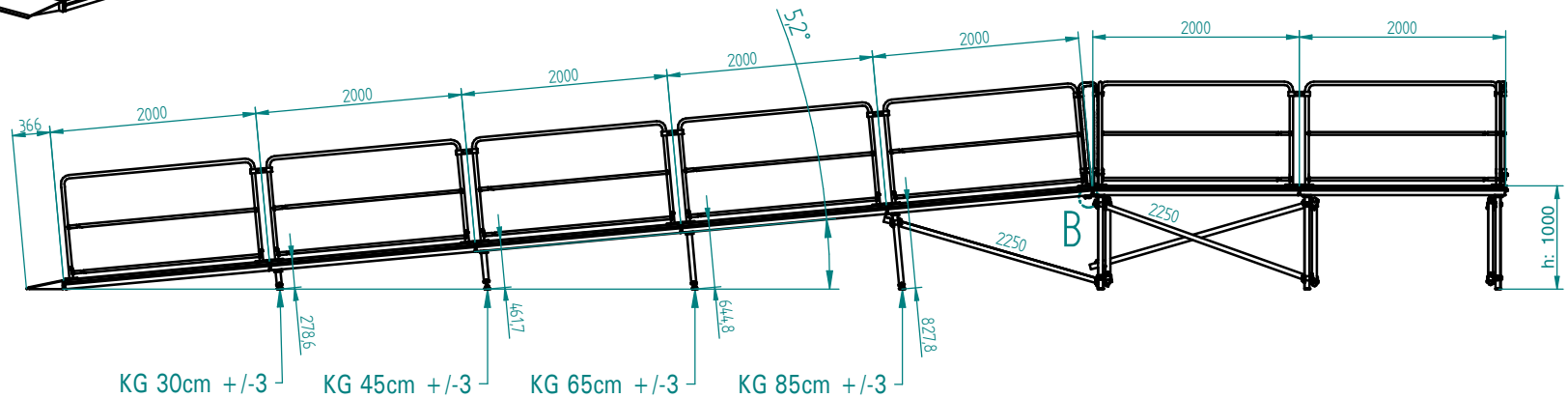
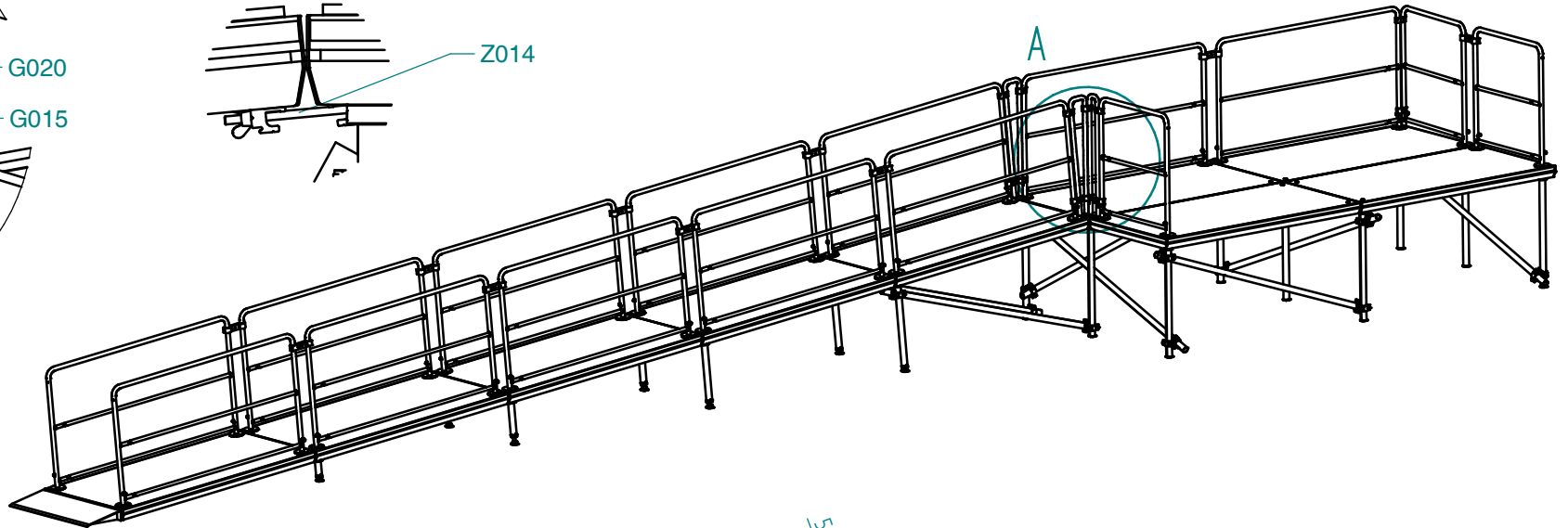
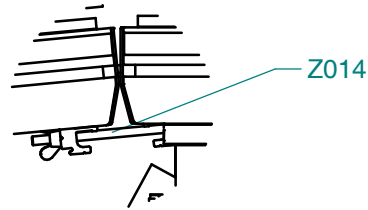
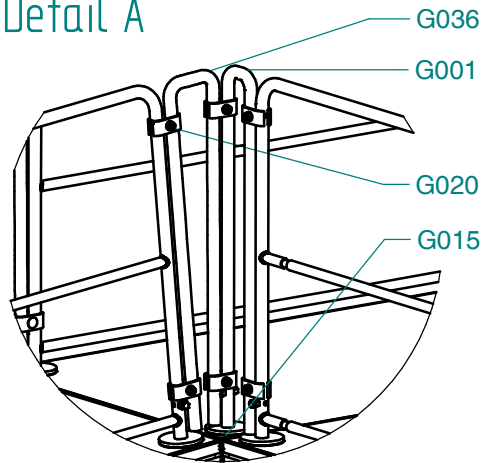
Description
ramp for h: 80 cm, gradient 5°

info@niytec.com	Art.No. R0801.085	Date: 20.02.2024	Sheet: 1 / 1
-----------------	-------------------	------------------	--------------

Detail A

Detail B

set up schemes of various ascents and descents



ramp for h: 100 cm, gradient 5°			
Group	Art.No.	Description	Piece
P001	111 01 0	system platform 200 x 100 cm	5
Z012	405 02 0	wedge for ramp w: 100 cm	1
base construction			
U088	208 11 1	ball bearing leg +/- 3 cm stage h: 30 cm	2
U091	208 13 1	ball bearing leg +/- 3 cm stage h: 45 cm	2
U095	208 15 1	ball bearing leg +/- 3 cm stage h: 65 cm	2
U099	208 18 1	ball bearing leg +/- 3 cm stage h: 85 cm	2
U011	200 06 7	floor protector for LD- & BB-leg skid-proof blue square (inkl.)	8
U058	200 31 3	alu diagonal brace bl: 200/185 cm, bh: 80-100cm, l: 2250 mm	2
U034	4.702.019	Layher swivel coupler Ø 48.3 mm	4
ramp rails, 2 sides			
G006	301 03 0	safety rail h: 100 cm w: 185 cm	10
G017	310 10 5	rail link stage 150 mm reinforced	8
G019	310 20 0	adapter Ø 48.3 mm	12
G015	310 01 0	rail support bolt Ø 26 mm	20

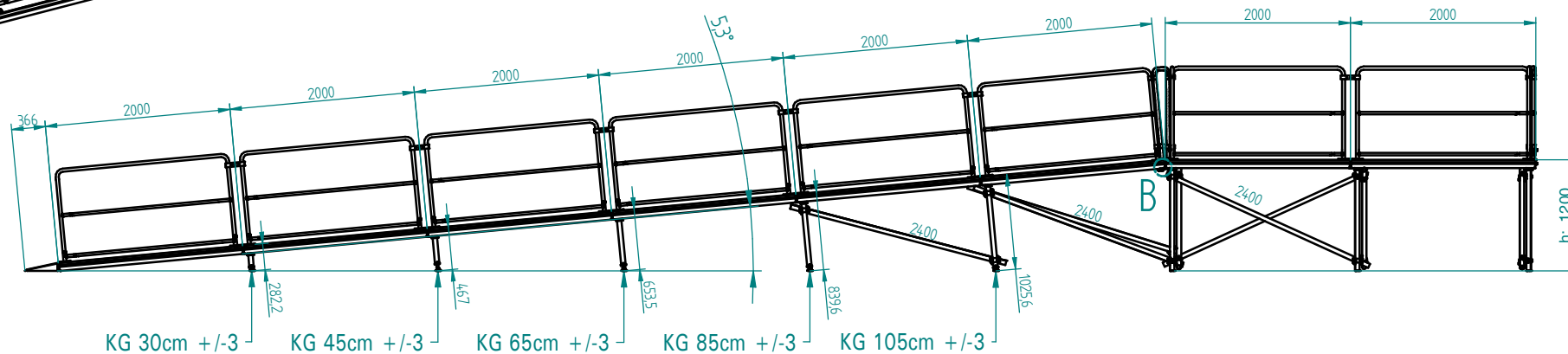
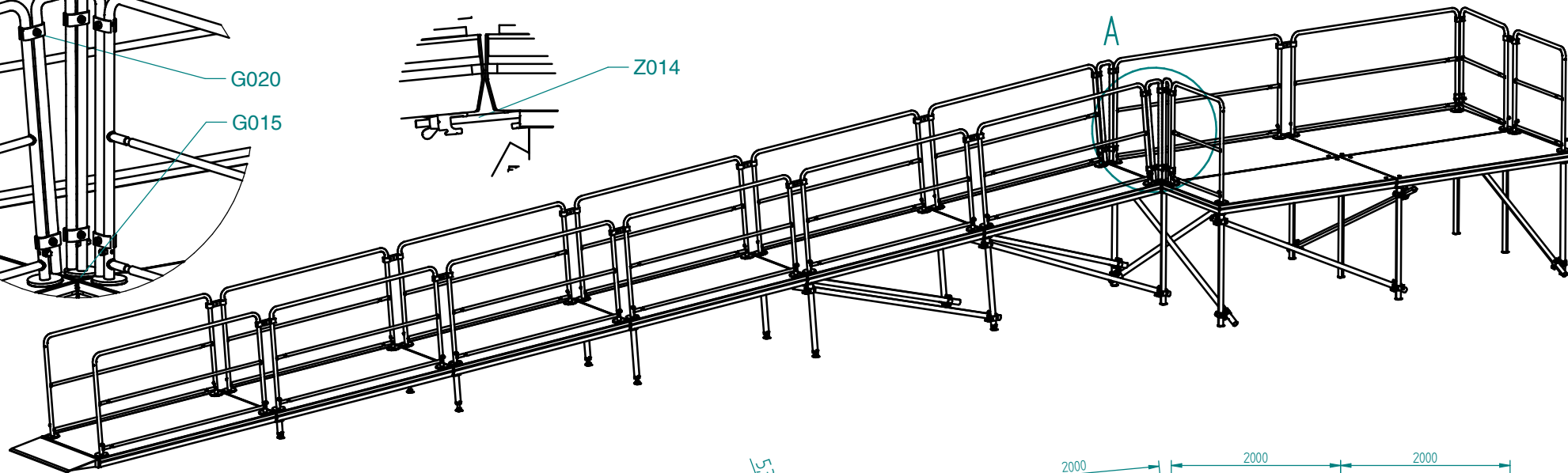
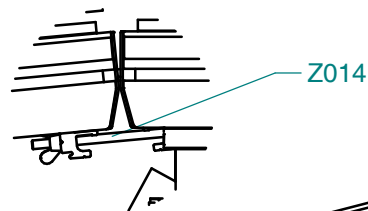
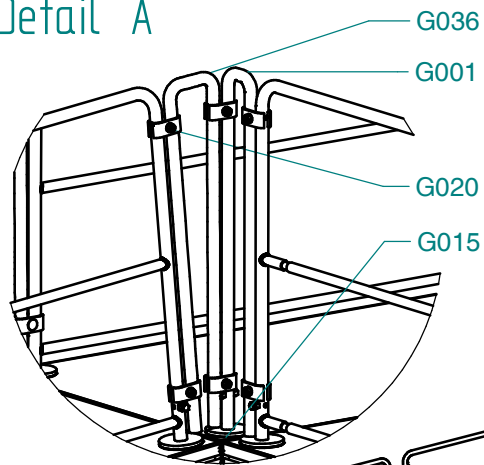
stage h: 100 cm			
Group	Art.No.	Description	Piece
P001	111 01 0	system platform 200 x 100 cm	4
base construction			
U005	211 05 1	alu load distributor leg stage h: 100 cm	9
U011	200 06 7	floor protector for LD- & BB-leg skid-proof blue square	9
U058	200 31 3	Alu-Diagonale FL: 200/185 cm FH: 80-100 cm L: 2250 mm	5
U034	4.702.019	Layher Drehkupplung Ø48,3 mm	10
stage rails, 3 sides			
G006	301 03 0	safety rail h: 100 cm w: 185 cm	2
G004	301 02 0	safety rail h: 100 cm w: 85 cm	3
G015	310 01 0	rail support bolt Ø 26 mm	9
G017	310 10 5	rail link stage 150 mm reinforced	2
G019	310 20 0	adapter Ø 48.3 mm	3
G020	310 21 0	corner link	2

connection of ramp and stage			
Group	Art.No.	Description	Piece
G036	306 01 0	ramp rail h: 100 cm wedge - 5° + 1,5/-0,5°	2
G020	310 21 0	corner link	8
Z014	401 20 0	platform link	2
G001	301 00 4	safety rail h: 100 cm w: 10 cm	1
G015	310 01 0	rail support bolt Ø 26 mm	1
G020	310 21 0	corner link	2
G019	310 20 0	adapter Ø 48.3 mm	0

Detail A

Detail B

set up schemes of various ascents and descents



ramp for h: 120 cm, gradient 5°			
Group	Art.No.	Description	Piece
P001	111 01 0	system platform 200 x 100 cm	6
Z012	405 02 0	wedge for ramp w: 100 cm	1
base construction			
U088	208 11 1	ball bearing leg +/- 3 cm stage h: 30 cm	2
U091	208 13 1	ball bearing leg +/- 3 cm stage h: 45 cm	2
U095	208 15 1	ball bearing leg +/- 3 cm stage h: 65 cm	2
U099	208 18 1	ball bearing leg +/- 3 cm stage h: 85 cm	2
U103	208 21 1	ball bearing leg +/- 3 cm stage h: 105 cm	2
U011	200 06 7	floor protector for LD- & BB-leg skid-proof blue square (inkl.)	10
U060	200 31 4	alu diagonal brace bl:200/185 cm, bh:>100-140cm, l: 2400mm	4
U034	4.702.019	Layher swivel coupler Ø 48.3 mm	8
ramp rails, 2 sides			
G006	301 03 0	safety rail h: 100 cm w: 185 cm	12
G017	310 10 5	rail link stage 150 mm reinforced	10
G019	310 20 0	adapter Ø 48.3 mm	14
G015	310 01 0	rail support bolt Ø 26 mm	24

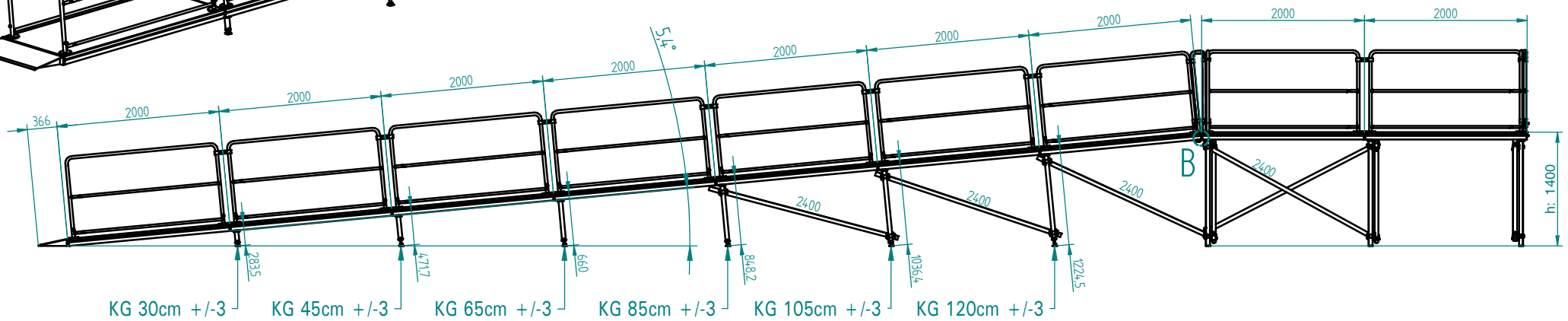
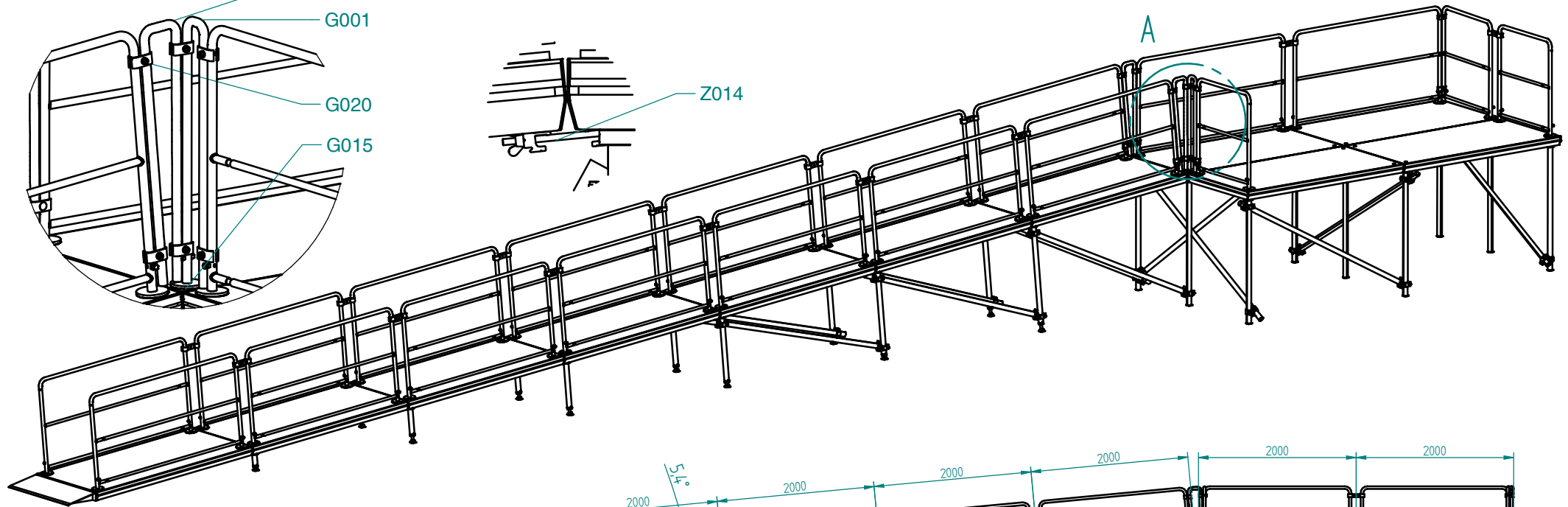
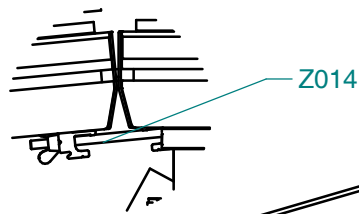
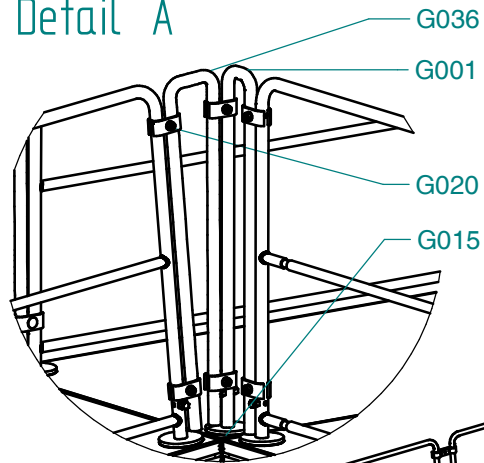
stage h: 120 cm			
Group	Art.No.	Description	Piece
P001	111 01 0	system platform 200 x 100 cm	4
base construction			
U006	211 06 1	alu load distributor leg stage h: 120 cm	9
U011	200 06 7	floor protector for LD- & BB-leg skid-proof blue square	9
U060	200 31 4	alu diagonal brace bl:200/185 cm, bh:>100-140cm, l: 2400mm	5
U034	4.702.019	Layher swivel coupler Ø 48.3 mm	10
stage rails, 3 sides			
G006	301 03 0	safety rail h: 100 cm w: 185 cm	2
G004	301 02 0	safety rail h: 100 cm w: 85 cm	3
G015	310 01 0	rail support bolt Ø 26 mm	9
G017	310 10 5	rail link stage 150 mm reinforced	2
G019	310 20 0	adapter Ø 48.3 mm	3
G020	310 21 0	corner link	2

connection of ramp and stage			
Group	Art.No.	Description	Piece
G036	306 01 0	ramp rail h: 100 cm wedge - 5° + 1,5/-0,5°	2
G020	310 21 0	corner link	8
Z014	401 20 0	platform link	2
G001	301 00 4	safety rail h: 100 cm w: 10 cm	1
G015	310 01 0	rail support bolt Ø 26 mm	1
G020	310 21 0	corner link	2
G019	310 20 0	adapter Ø 48.3 mm	0

Detail A

Detail B

set up schemes of various ascents and descents



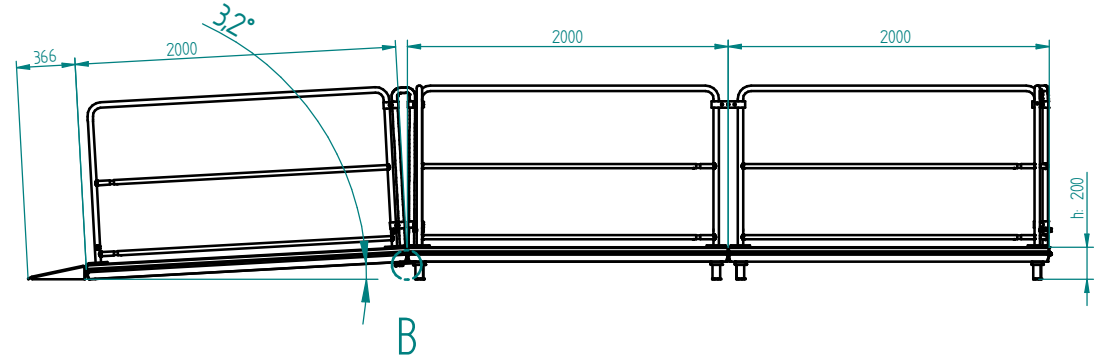
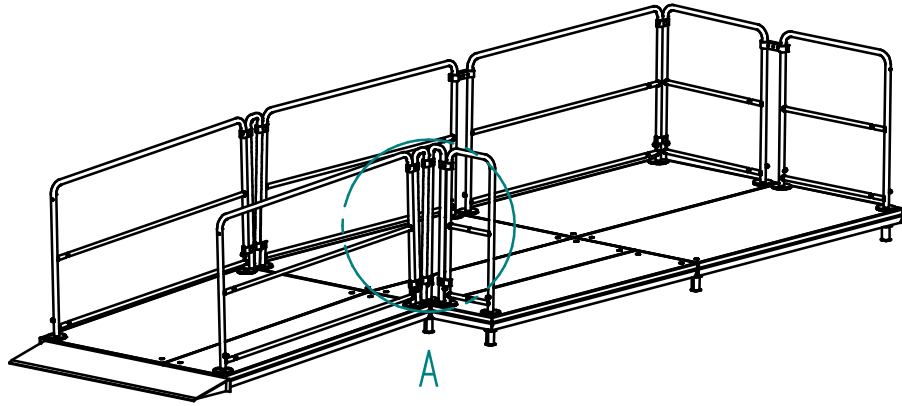
KG 30cm +/-3 KG 45cm +/-3 KG 65cm +/-3 KG 85cm +/-3 KG 105cm +/-3 KG 120cm +/-3

ramp for h: 140 cm, gradient 5°			
Group	Art.No.	Description	Piece
P001	111 01 0	system platform 200 x 100 cm	7
Z012	405 02 0	wedge for ramp w: 100 cm	1
base construction			
U088	208 11 1	ball bearing leg +/- 3 cm stage h: 30 cm	2
U091	208 13 1	ball bearing leg +/- 3 cm stage h: 45 cm	2
U095	208 15 1	ball bearing leg +/- 3 cm stage h: 65 cm	2
U099	208 18 1	ball bearing leg +/- 3 cm stage h: 85 cm	2
U103	208 21 1	ball bearing leg +/- 3 cm stage h: 105 cm	2
U105	208 06 1	ball bearing leg +/- 3 cm stage h: 120 cm	2
U011	200 06 7	floor protector for LD- & BB-leg skid-proof blue square (inkl.)	12
U060	200 31 4	alu diagonal brace bl:200/185 cm, bh:>100-140cm, l: 2400mm	6
U034	4.702.019	Layher swivel coupler Ø 48.3 mm	12
ramp rails, 2 sides			
G006	301 03 0	safety rail h: 100 cm w: 185 cm	14
G017	310 10 5	rail link stage 150 mm reinforced	12
G019	310 20 0	adapter Ø 48.3 mm	16
G015	310 01 0	rail support bolt Ø 26 mm	28

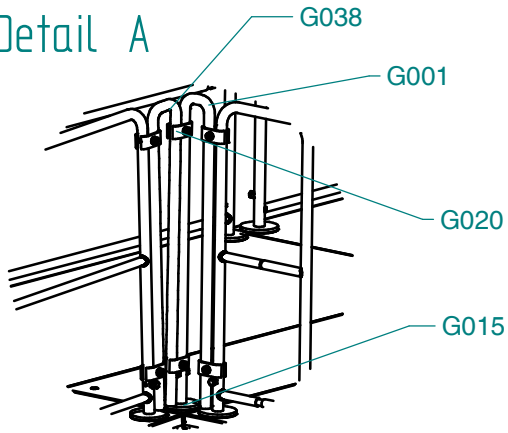
stage h: 140 cm			
Group	Art.No.	Description	Piece
P001	111 01 0	system platform 200 x 100 cm	4
base construction			
U007	211 07 1	alu load distributor leg stage h: 140 cm	9
U011	200 06 7	floor protector for LD- & BB-leg skid-proof blue square	9
U060	200 31 4	alu diagonal brace bl:200/185 cm, bh:>100-140cm, l: 2400mm	5
U034	4.702.019	Layher swivel coupler Ø 48.3 mm	10
stage rails, 3 sides			
G006	301 03 0	safety rail h: 100 cm w: 185 cm	2
G004	301 02 0	safety rail h: 100 cm w: 85 cm	3
G015	310 01 0	rail support bolt Ø 26 mm	9
G017	310 10 5	rail link stage 150 mm reinforced	2
G019	310 20 0	adapter Ø 48.3 mm	3
G020	310 21 0	corner link	2

connection of ramp and stage			
Group	Art.No.	Description	Piece
G036	306 01 0	ramp rail h: 100 cm wedge - 5° + 1,5/-0,5°	2
G020	310 21 0	corner link	8
Z014	401 20 0	platform link	2
G001	301 00 4	safety rail h: 100 cm w: 10 cm	1
G015	310 01 0	rail support bolt Ø 26 mm	1
G020	310 21 0	corner link	2
G019	310 20 0	adapter Ø 48.3 mm	0

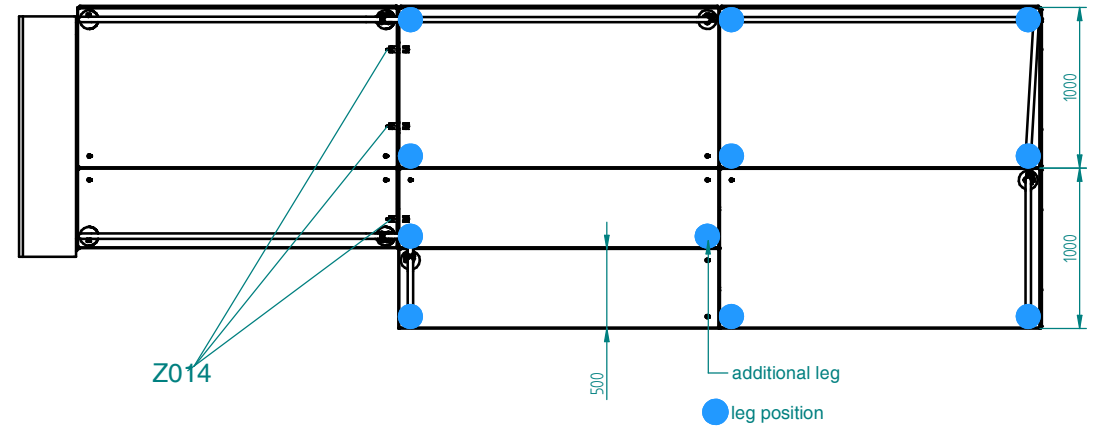
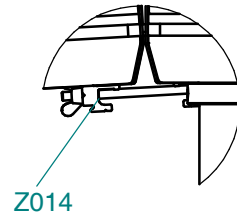




Detail A



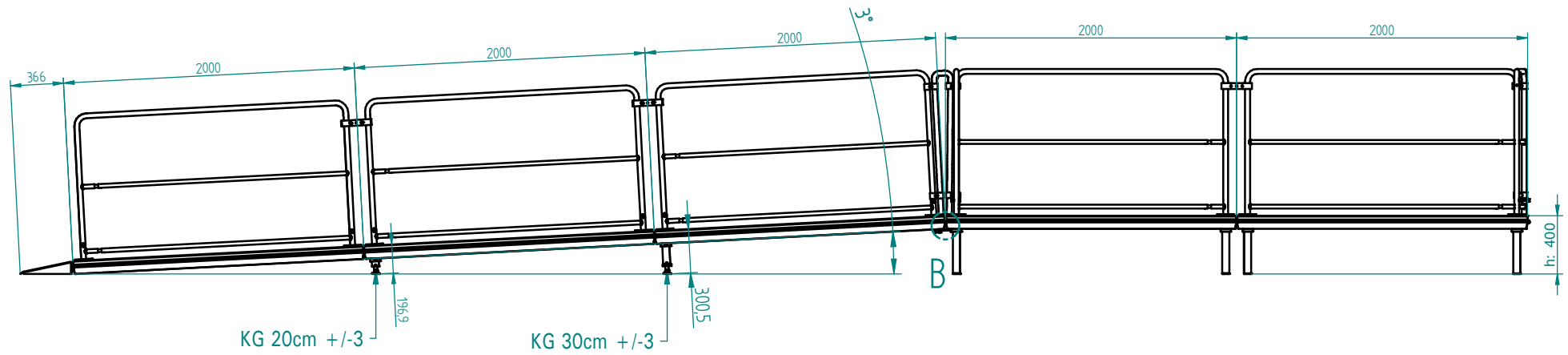
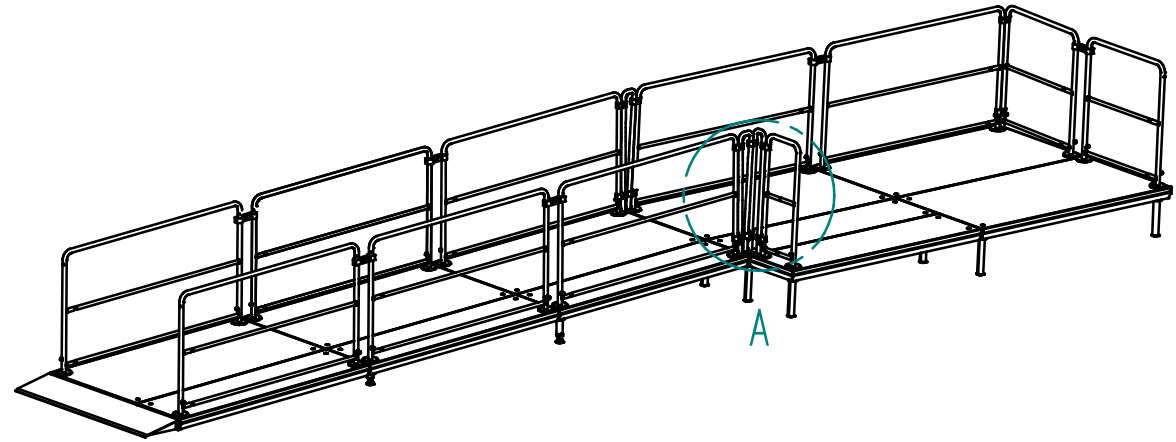
Detail B



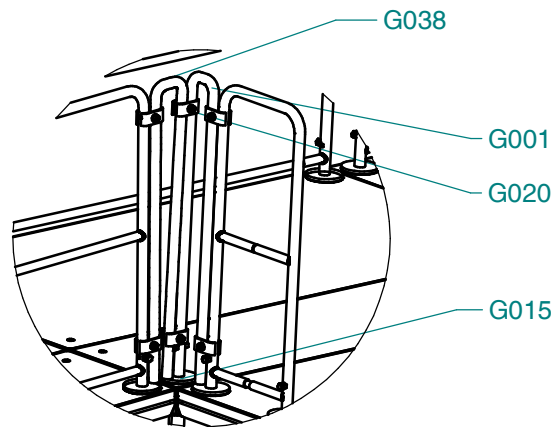
wheelchair ramp, for h: 20 cm, gradient max. 6%			
Group	Art.No.	Description	Piece
P001	111 01 0	system platform 200 x 100 cm	1
P007	111 02 0	system platform 200 x 50 cm	1
Z013	405 02 0	wedge for ramp w: 150 cm	1
ramp rails, 2 sides			
G006	301 03 0	safety rail h: 100 cm w: 185 cm	2
G019	310 20 0	adapter Ø 48.3 mm	4
G015	310 01 0	rail support bolt Ø 26 mm	4

stage h: 20 cm			
Group	Art.No.	Description	Piece
P001	111 01 0	system platform 200 x 100 cm	3
P007	111 02 0	system platform 200 x 50 cm	2
base construction			
U001	201 01 1	alu load distributor leg stage h: 20 cm	11
U011	200 06 7	floor protector for LD- & BB-leg skid-proof blue square	11
stage rails, 3 sides			
G006	301 03 0	safety rail h: 100 cm w: 185 cm	2
G004	301 02 0	safety rail h: 100 cm w: 85 cm	2
G003	301 01 0	safety rail h: 100 cm w: 35 cm	1
G015	310 01 0	rail support bolt Ø 26 mm	9
G017	310 10 5	rail link stage 150 mm reinforced	2
G019	310 20 0	adapter Ø 48.3 mm	3
G020	310 21 0	corner link	2

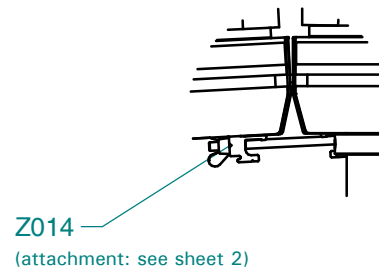
connection of ramp and stage			
Group	Art.No.	Description	Piece
G038	306 03 0	ramp rail h: 100 cm wedge $\leq 3,44^\circ$	2
G020	310 21 0	corner link	8
Z014	401 20 0	platform link	3
G001	301 00 4	safety rail h: 100 cm w: 10 cm	1
G015	310 01 0	rail support bolt Ø 26 mm	1
G020	310 21 0	corner link	2
G019	310 20 0	adapter Ø 48.3 mm	0

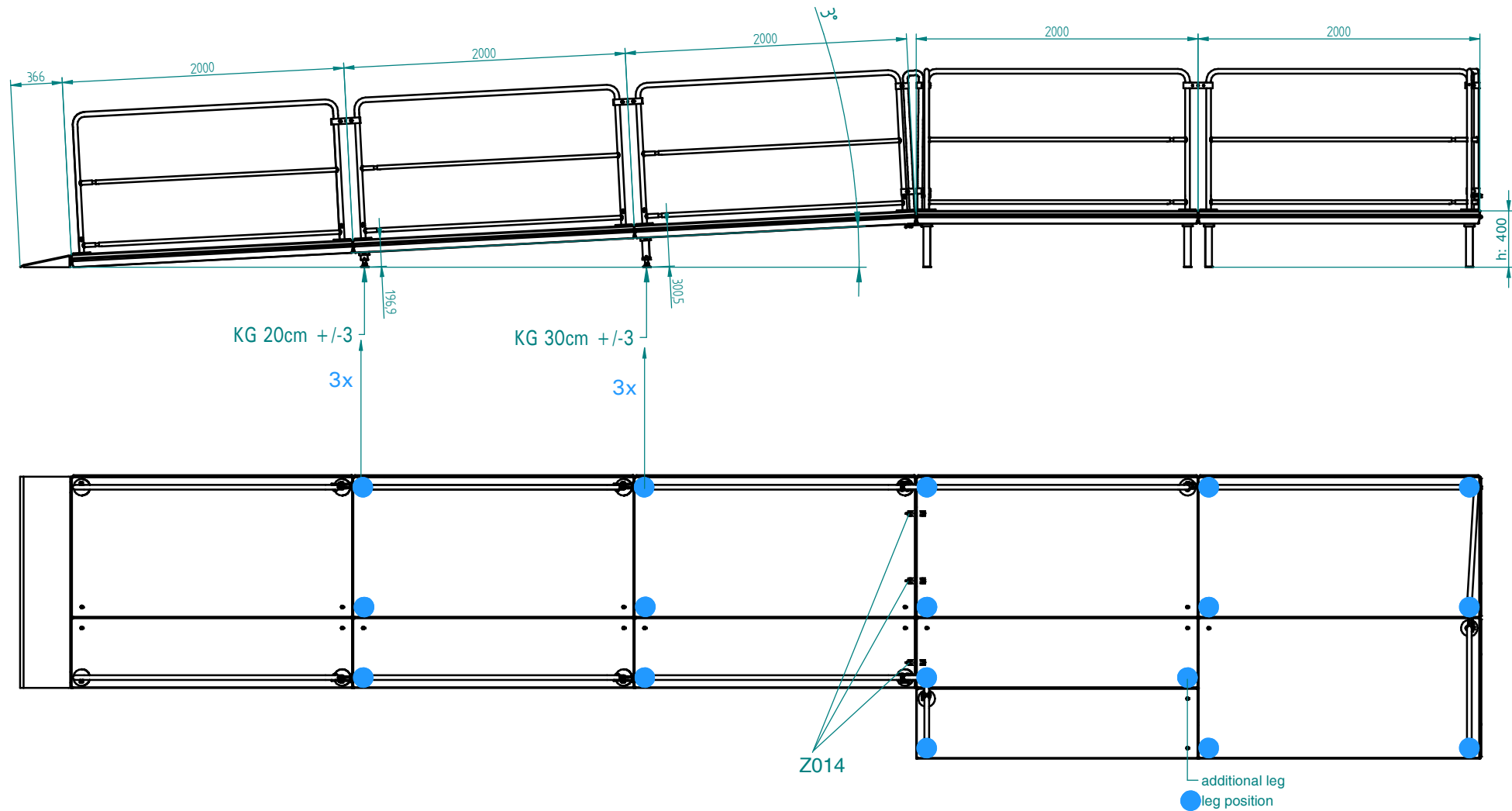


Detail A



Detail B

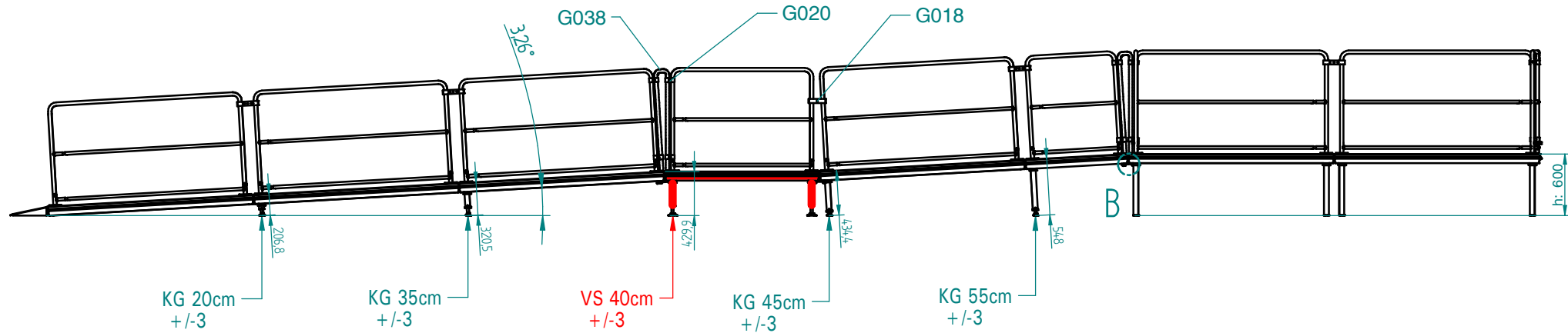
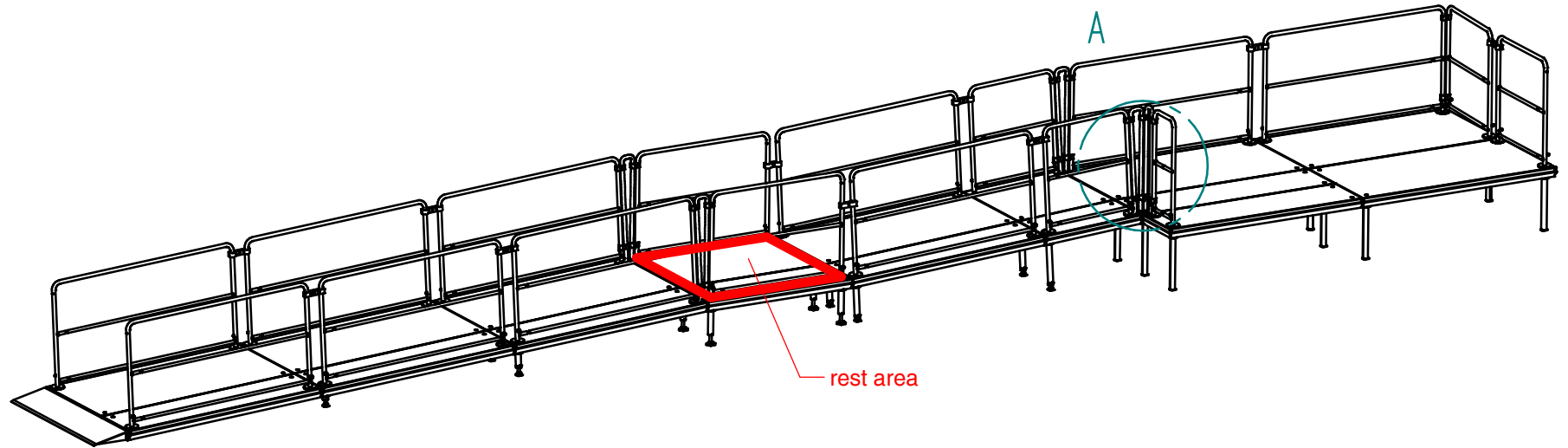




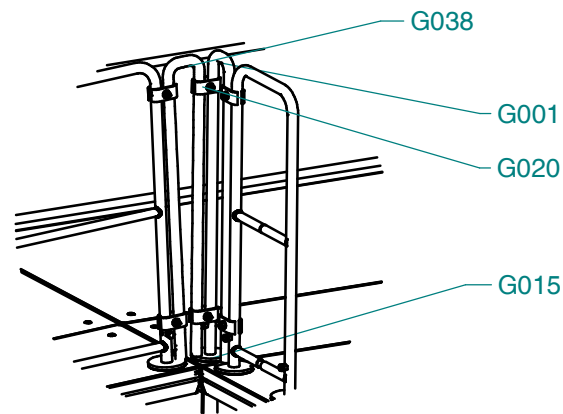
wheelchair ramp, for h: 40 cm, gradient max. 6%			
Group	Art.No.	Description	Piece
P001	111 01 0	system platform 200 x 100 cm	3
P007	111 020 0	system platform 200 x 50 cm	3
Z013	405 02 0	wedge for ramp w: 150 cm	1
base construction			
U088	208 11 1	ball bearing leg +/- 3 cm stage h: 30 cm	3
U086	208 01 1	ball bearing leg +/- 3 cm stage h: 20 cm	3
U011	200 06 7	floor protector for LD- & BB-leg skid-proof blue square	6
ramp rails, 2 sides			
G006	301 03 0	safety rail h: 100 cm w: 185 cm	6
G017	310 10 5	rail link stage 150 mm reinforced	4
G019	310 20 0	adapter Ø 48.3 mm	8
G015	310 01 0	rail support bolt Ø 26 mm	12

stage h: 40 cm			
Group	Art.No.	Description	Piece
P001	111 01 0	system platform 200 x 100 cm	3
P007	111 02 0	system platform 200 x 50 cm	2
base construction			
U002	201 02 1	alu load distributor leg stage h: 40 cm	11
U011	200 06 7	floor protector for LD- & BB-leg skid-proof blue square	11
stage rails, 3 sides			
G006	301 03 0	safety rail h: 100 cm w: 185 cm	2
G004	301 02 0	safety rail h: 100 cm w: 85 cm	2
G003	301 01 0	safety rail h: 100 cm w: 35 cm	1
G015	310 01 0	rail support bolt Ø 26 mm	9
G017	310 10 5	rail link stage 150 mm reinforced	2
G019	310 20 0	adapter Ø 48.3 mm	3
G020	310 21 0	corner link	2

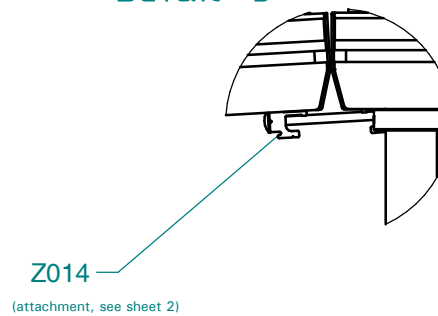
connection of ramp and stage			
Gruppe	Art.Nr.	Artikelbezeichnung	Stück
G038	306 03 0	ramp rail h: 100 cm wedge $\leq 3,44^\circ$	2
G020	310 21 0	corner link	8
Z014	401 20 0	platform link	3
G001	301 00 4	safety rail h: 100 cm w: 10 cm	1
G015	310 01 0	rail support bolt Ø 26 mm	1
G020	310 21 0	corner link	2
G019	310 20 0	adapter Ø 48.3 mm	0

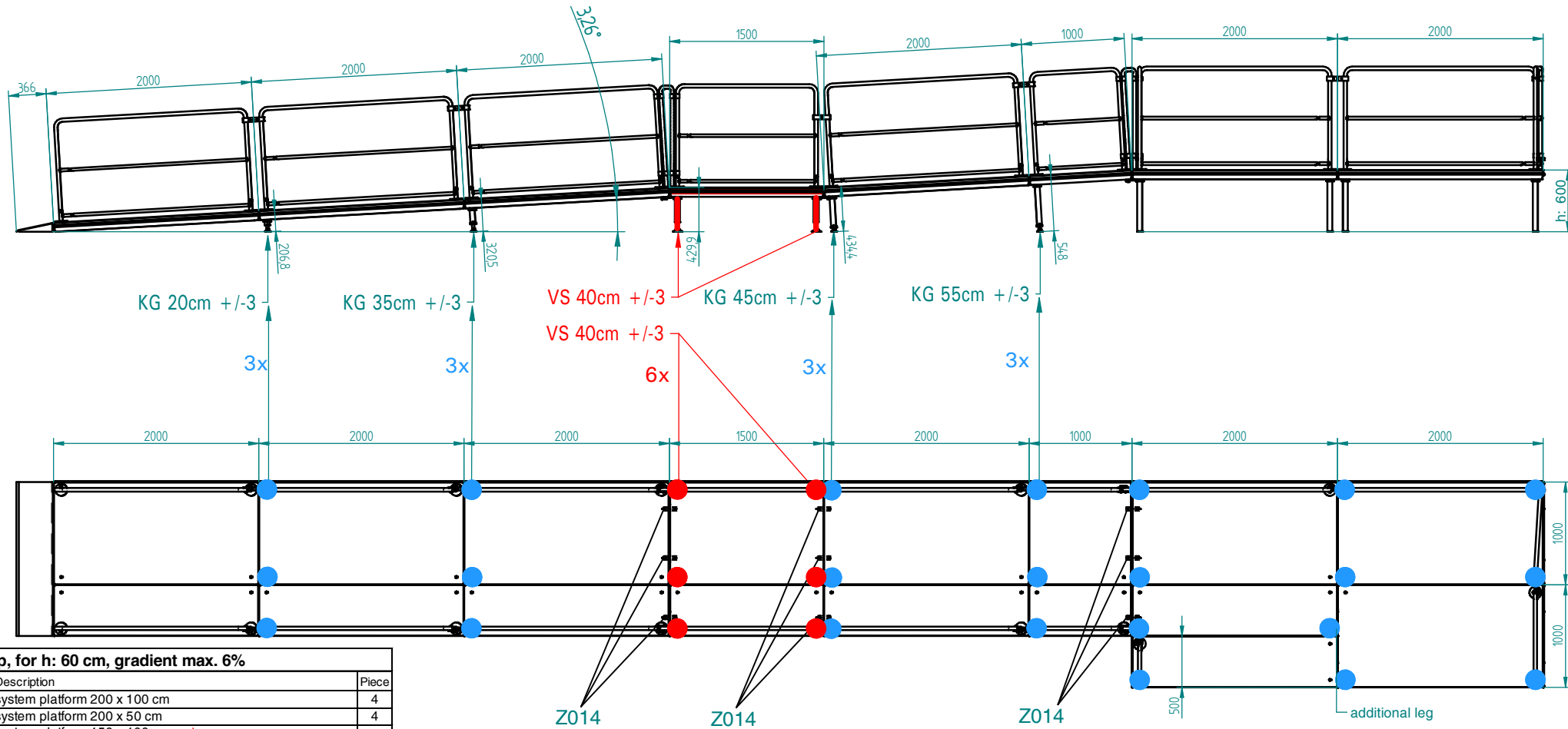


Detail A



Detail B



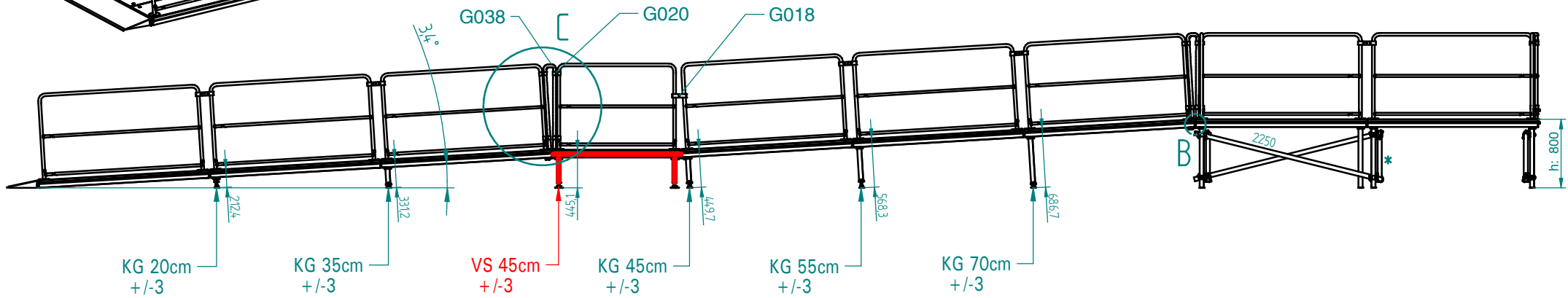
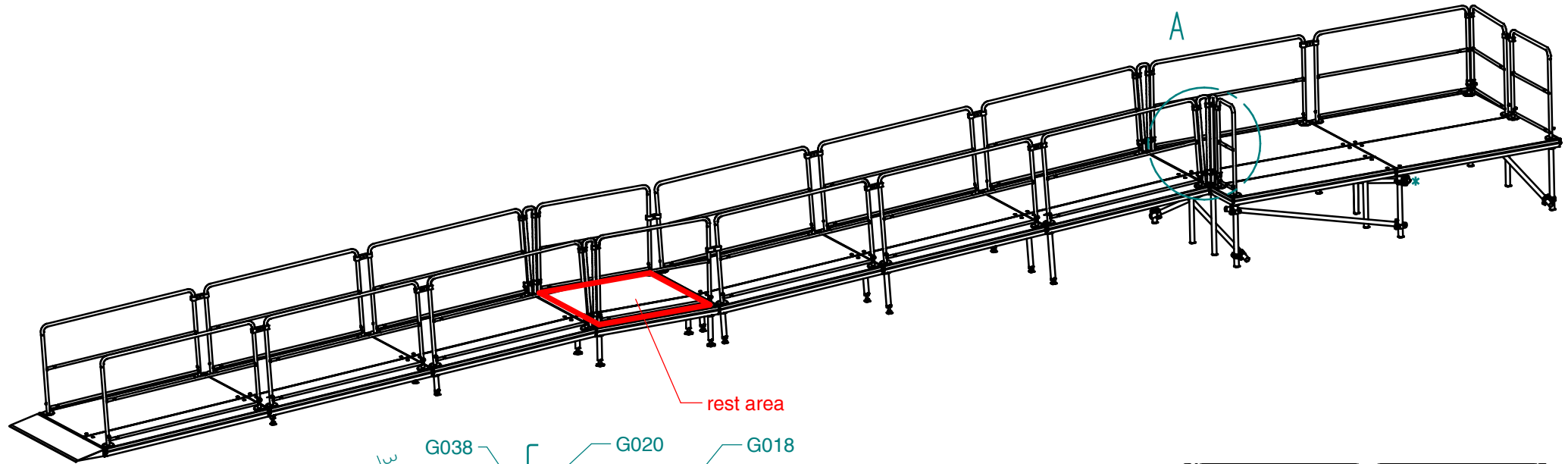


● leg position
● leg position rest area

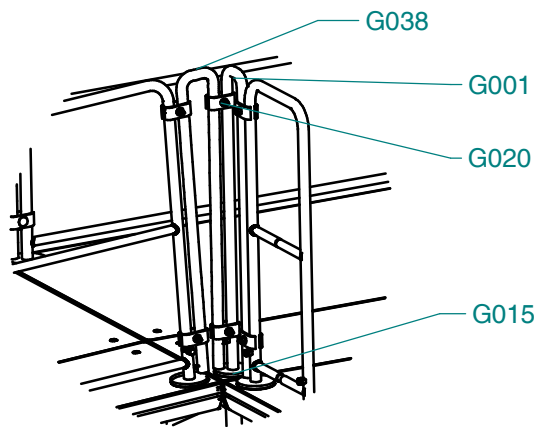
wheelchair ramp, for h: 60 cm, gradient max. 6%			
Group	Art.No.	Description	Piece
P001	111 01 0	system platform 200 x 100 cm	4
P007	111 02 0	system platform 200 x 50 cm	4
P002	111 03 0	system platform 150 x 100 cm rest area	1
P008	111 04 0	system platform 150 x 50 cm rest area	1
P003	111 05 0	system platform 100 x 100 cm	1
P009	111 06 0	system platform 100 x 50 cm	1
Z013	405 02 0	wedge for ramp w: 150 cm	1
base construction			
U093	208 23 1	ball bearing leg +/- 3 cm stage h: 55 cm	3
U091	208 13 1	ball bearing leg +/- 3 cm stage h: 45 cm	3
U089	208 12 1	ball bearing leg +/- 3 cm stage h: 35 cm	3
U086	208 01 1	ball bearing leg +/- 3 cm stage h: 20 cm	3
U011	200 06 7	floor protector for LD- & BB-leg skid-proof blue square	12
Z014	401 20 0	platform link rest area	6
U013	202 02 1	alu levelling leg +/- 3 cm stage h: 40 cm rest area	6
U022	200 06 6	floor protector for L- & EX-leg skid-proof hexagonal	6
ramp rails, 2 sides			
G006	301 03 0	safety rail h: 100 cm w: 185 cm	8
G005	301 04 0	safety rail h: 100 cm w: 135 cm	2
G004	301 02 0	safety rail h: 100 cm w: 85 cm	2
G017	310 10 5	rail link stage 150 mm reinforced	6
G015	310 01 0	rail support bolt Ø 26 mm	24
G019	310 20 0	adapter Ø 48.3 mm	12
G038	306 03 0	ramp rail h: 100 cm wedge $\leq 3,44^\circ$ rest area	2
G018	310 11 0	rail link gallery 110 mm rest area	2
G020	310 21 0	corner link rest area	8

stage h: 60 cm			
Group	Art.No.	Description	Piece
P001	111 01 0	system platform 200 x 100 cm	3
P007	111 02 0	system platform 200 x 50 cm	2
base construction			
U003	201 03 1	alu load distributor leg stage h: 60 cm	11
U011	200 06 7	floor protector for LD- & BB-leg skid-proof blue square	11
stage rails, 3 sides			
G006	301 03 0	safety rail h: 100 cm w: 185 cm	2
G004	301 02 0	safety rail h: 100 cm w: 85 cm	2
G003	301 01 0	safety rail h: 100 cm w: 35 cm	1
G015	310 01 0	rail support bolt Ø 26 mm	9
G017	310 10 5	rail link stage 150 mm reinforced	2
G019	310 20 0	adapter Ø 48.3 mm	3
G020	310 21 0	corner link	2

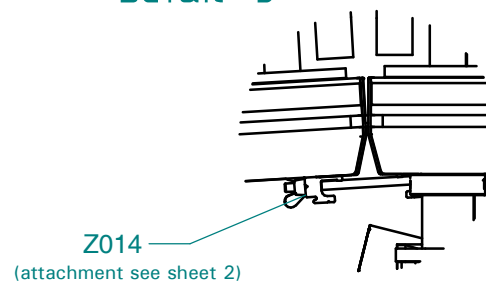
connection of ramp and stage			
Group	Art.No.	Description	Piece
G038	306 03 0	ramp rail h: 100 cm wedge $\leq 3,44^\circ$	2
G020	310 21 0	corner link	8
Z014	401 20 0	platform link	3
G001	301 00 4	safety rail h: 100 cm w: 10 cm	1
G015	310 01 0	rail support bolt Ø 26 mm	1
G020	310 21 0	corner link	2
G019	310 20 0	adapter Ø 48.3 mm	0



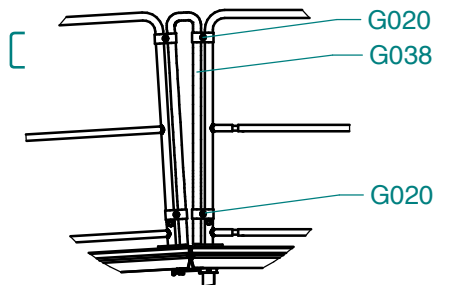
Detail A

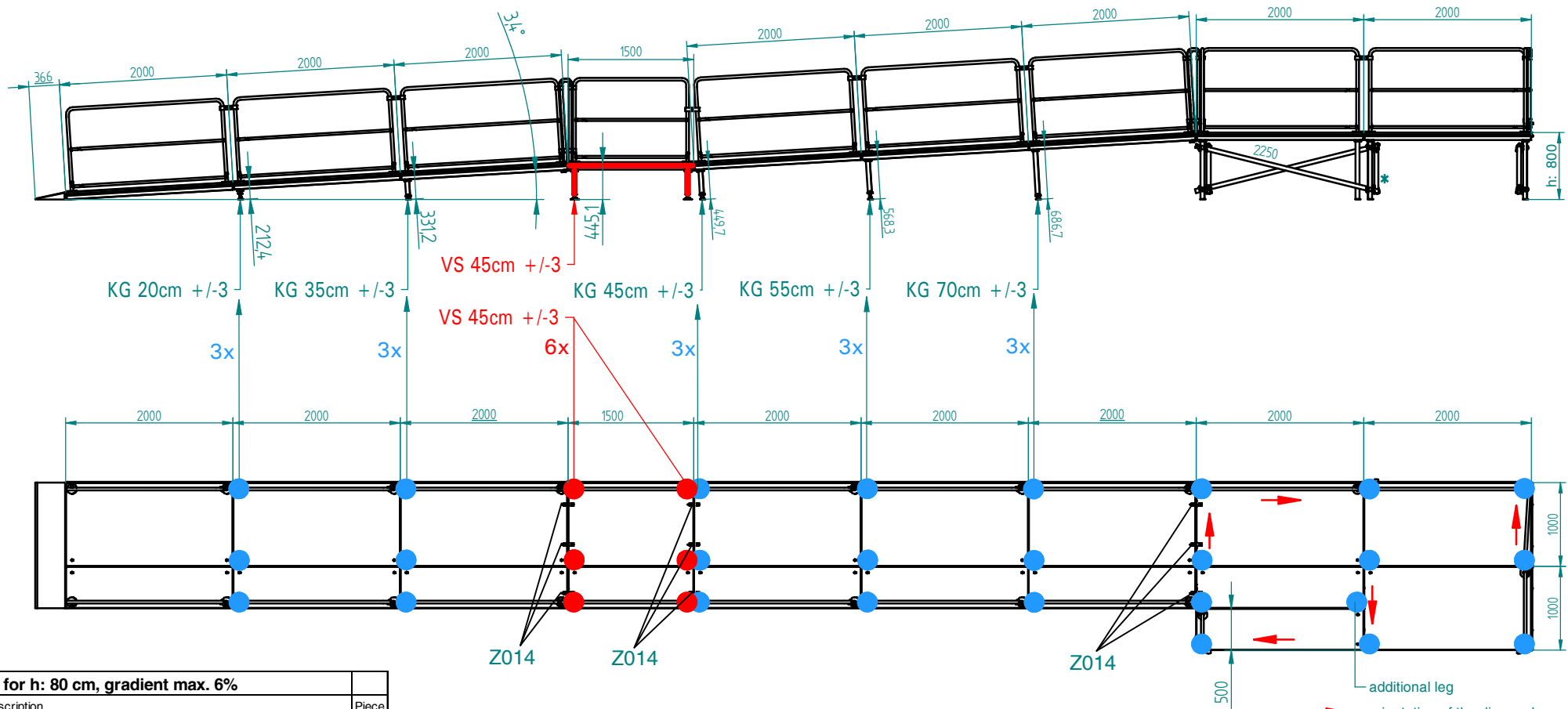


Detail B



Detail C





- ▶ orientation of the diagonals
- leg position
- leg position rest area
- * at h: 80 cm you can dispense with this diagonal

wheelchair ramp, for h: 80 cm, gradient max. 6%			
Group	Art.No.	Description	Piece
P001	111 01 0	system platform 200 x 100 cm	6
P007	111 02 0	system platform 200 x 50 cm	6
P002	111 03 0	system platform 150 x 100 cm rest area	1
P008	111 04 0	system platform 150 x 50 cm rest area	1
Z013	405 02 0	wedge for ramp w: 150 cm	1
base construction			
U096	208 16 1	ball bearing leg +/- 3 cm stage h: 70 cm	3
U093	208 23 1	ball bearing leg +/- 3 cm stage h: 55 cm	3
U091	208 13 1	ball bearing leg +/- 3 cm stage h: 45 cm	3
U089	208 12 1	ball bearing leg +/- 3 cm stage h: 35 cm	3
U086	208 01 1	ball bearing leg +/- 3 cm stage h: 20 cm	3
U011	200 06 7	floor protector for LD- & BB-leg skid-proof blue square	15
Z014	401 20 0	platform link rest area	6
202 03 1.0450		alu levelling leg +/- 3 cm stage h: 45 cm rest area	6
U022	200 06 6	floor protector for L- & EX-leg skid-proof hexagonal	6
ramp rails, 2 sides			
G006	301 03 0	safety rail h: 100 cm w: 185 cm	12
G005	301 04 0	safety rail h: 100 cm w: 135 cm	2
G017	310 10 5	rail link stage 150 mm reinforced	8
G015	310 01 0	rail support bolt Ø 26 mm	28
G019	310 20 0	adapter Ø 48.3 mm	14
G038	306 03 0	ramp rail h: 100 cm wedge $\leq 3,44^\circ$ rest area	2
G018	310 11 0	rail link gallery 110 mm rest area	2
G020	310 21 0	corner link rest area	8

stage h: 80 cm			
Group	Art.No.	Description	Piece
P001	111 01 0	system platform 200 x 100 cm	3
P007	111 02 0	system platform 200 x 50 cm	2
base construction			
U004	201 04 1	alu load distributor leg stage h: 80 cm	11
U011	200 06 7	floor protector for LD- & BB-leg skid-proof blue square	11
U058	200 31 3	alu diagonal brace bl: 200/185 cm, bh: 80-100cm, l: 2250 mm	5
U034	4.702.019	Layher swivel coupler Ø 48.3 mm	10
stage rails, 3 sides			
G006	301 03 0	safety rail h: 100 cm w: 185 cm	2
G004	301 02 0	safety rail h: 100 cm w: 85 cm	2
G003	301 01 0	safety rail h: 100 cm w: 35 cm	1
G015	310 01 0	rail support bolt Ø 26 mm	9
G017	310 10 5	rail link stage 150 mm reinforced	2
G019	310 20 0	adapter Ø 48.3 mm	3
G020	310 21 0	corner link	2

connection of ramp and stage			
Group	Art.No.	Description	Piece
G038	306 03 0	ramp rail h: 100 cm wedge $\leq 3,44^\circ$	2
G020	310 21 0	corner link	8
Z014	401 20 0	platform link	3
G001	301 00 4	safety rail h: 100 cm w: 10 cm	1
G015	310 01 0	rail support bolt Ø 26 mm	1
G020	310 21 0	corner link	2
G019	310 20 0	adapter Ø 48.3 mm	0